

# A Formal Development of a Polychronous Polytimed Coordination Language

Hai Nguyen Van      Frédéric Boulanger      Burkhardt Wolff  
[hai.nguyenvan.phie@gmail.com](mailto:hai.nguyenvan.phie@gmail.com)    [frederic.boulanger@centralesupelec.fr](mailto:frederic.boulanger@centralesupelec.fr)    [burkhart.wolff@lri.fr](mailto:burkhart.wolff@lri.fr)

May 4, 2022



# Contents

<b>1</b>	<b>A Gentle Introduction to TESL</b>	<b>5</b>
1.1	Context	5
1.2	The TESL Language	7
1.2.1	Instantaneous Causal Operators	7
1.2.2	Temporal Operators	7
1.2.3	Asynchronous Operators	8
<b>2</b>	<b>Core TESL: Syntax and Basics</b>	<b>9</b>
2.1	Syntactic Representation	9
2.1.1	Basic elements of a specification	9
2.1.2	Operators for the TESL language	9
2.1.3	Field Structure of the Metric Time Space	10
2.2	Defining Runs	11
<b>3</b>	<b>Denotational Semantics</b>	<b>13</b>
3.1	Denotational interpretation for atomic TESL formulae	13
3.2	Denotational interpretation for TESL formulae	14
3.2.1	Image interpretation lemma	14
3.2.2	Expansion law	14
3.3	Equational laws for the denotation of TESL formulae	14
3.4	Decreasing interpretation of TESL formulae	15
3.5	Some special cases	16
<b>4</b>	<b>Symbolic Primitives for Building Runs</b>	<b>17</b>
4.0.1	Symbolic Primitives for Runs	17
4.1	Semantics of Primitive Constraints	18
4.1.1	Defining a method for witness construction	19
4.2	Rules and properties of consistence	19
4.3	Major Theorems	20
4.3.1	Interpretation of a context	20
4.3.2	Expansion law	20
4.4	Equations for the interpretation of symbolic primitives	20
4.4.1	General laws	20
4.4.2	Decreasing interpretation of symbolic primitives	21
<b>5</b>	<b>Operational Semantics</b>	<b>23</b>
5.1	Operational steps	23
5.2	Basic Lemmas	25

<b>6</b>	<b>Semantics Equivalence</b>	<b>29</b>
6.1	Stepwise denotational interpretation of TESL atoms . . . . .	29
6.2	Coinduction Unfolding Properties . . . . .	31
6.3	Interpretation of configurations . . . . .	33
<b>7</b>	<b>Main Theorems</b>	<b>35</b>
7.1	Initial configuration . . . . .	35
7.2	Soundness . . . . .	35
7.3	Completeness . . . . .	36
7.4	Progress . . . . .	36
7.5	Local termination . . . . .	37
<b>8</b>	<b>Properties of TESL</b>	<b>39</b>
8.1	Stuttering Invariance . . . . .	39
8.1.1	Definition of stuttering . . . . .	39
8.1.2	Alternate definitions for counting ticks. . . . .	41
8.1.3	Stuttering Lemmas . . . . .	42
8.1.4	Lemmas used to prove the invariance by stuttering . . . . .	42
8.1.5	Main Theorems . . . . .	50

# Chapter 1

## A Gentle Introduction to TESL

### 1.1 Context

The design of complex systems involves different formalisms for modeling their different parts or aspects. The global model of a system may therefore consist of a coordination of concurrent sub-models that use different paradigms such as differential equations, state machines, synchronous data-flow networks, discrete event models and so on, as illustrated in [Figure 1.1](#). This raises the interest in architectural composition languages that allow for “bolting the respective sub-models together”, along their various interfaces, and specifying the various ways of collaboration and coordination [2].

We are interested in languages that allow for specifying the timed coordination of subsystems by addressing the following conceptual issues:

- events may occur in different sub-systems at unrelated times, leading to *polychronous* systems, which do not necessarily have a common base clock,
- the behavior of the sub-systems is observed only at a series of discrete instants, and time coordination has to take this *discretization* into account,
- the instants at which a system is observed may be arbitrary and should not change its behavior (*stuttering invariance*),
- coordination between subsystems involves causality, so the occurrence of an event may enforce the occurrence of other events, possibly after a certain duration has elapsed or an event has occurred a given number of times,
- the domain of time (discrete, rational, continuous. . . ) may be different in the subsystems, leading to *polytimed* systems,
- the time frames of different sub-systems may be related (for instance, time in a GPS satellite and in a GPS receiver on Earth are related although they are not the same).

```
consts dummyInfty    :: <'a ⇒ 'a>
consts dummyTESLSTAR :: <'a>
consts dummyFUN      :: <'a set ⇒ 'b set ⇒ 'c set>
consts dummyCLOCK    :: <'a set>
consts dummyBOOL     :: <bool set>
```

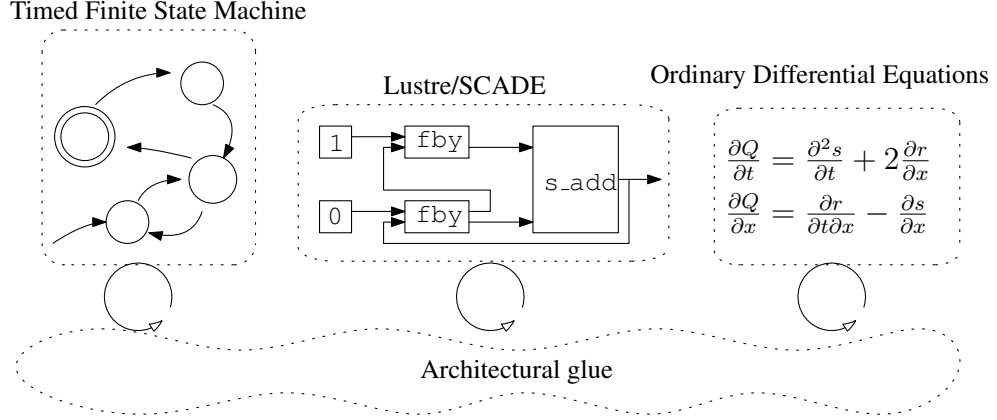


Figure 1.1: A Heterogeneous Timed System Model

```

consts dummyTIMES    :: <'a set>
consts dummyLEQ      :: <'a ⇒ 'a ⇒ bool>

notation dummyInfty   (<(_∞)> [1000] 999)
notation dummyTESLSTAR (<TESL*>)
notation dummyFUN     (infixl <->> 100)
notation dummyCLOCK   (<K>)
notation dummyBOOL    (<B>)
notation dummyTIMES   (<T>)
notation dummyLEQ     (infixl <≤T> 100)

```

In order to tackle the heterogeneous nature of the subsystems, we abstract their behavior as clocks. Each clock models an event, i.e., something that can occur or not at a given time. This time is measured in a time frame associated with each clock, and the nature of time (integer, rational, real, or any type with a linear order) is specific to each clock. When the event associated with a clock occurs, the clock ticks. In order to support any kind of behavior for the subsystems, we are only interested in specifying what we can observe at a series of discrete instants. There are two constraints on observations: a clock may tick only at an observation instant, and the time on any clock cannot decrease from an instant to the next one. However, it is always possible to add arbitrary observation instants, which allows for stuttering and modular composition of systems. As a consequence, the key concept of our setting is the notion of a clock-indexed Kripke model:  $\Sigma^\infty = \mathbf{N} \rightarrow \mathcal{K} \rightarrow (\mathbf{B} \times \mathcal{T})$ , where  $\mathcal{K}$  is an enumerable set of clocks,  $\mathbf{B}$  is the set of booleans – used to indicate that a clock ticks at a given instant – and  $\mathcal{T}$  is a universal metric time space for which we only assume that it is large enough to contain all individual time spaces of clocks and that it is ordered by some linear ordering ( $\leq_{\mathcal{T}}$ ).

The elements of  $\Sigma^\infty$  are called runs. A specification language is a set of operators that constrains the set of possible monotonic runs. Specifications are composed by intersecting the denoted run sets of constraint operators. Consequently, such specification languages do not limit the number of clocks used to model a system (as long as it is finite) and it is always possible to add clocks to a specification. Moreover, they are *compositional* by construction since the composition of specifications consists of the conjunction of their constraints.

This work provides the following contributions:

- defining the non-trivial language TESL\* in terms of clock-indexed Kripke models,
- proving that this denotational semantics is stuttering invariant,
- defining an adapted form of symbolic primitives and presenting the set of operational semantic rules,
- presenting formal proofs for soundness, completeness, and progress of the latter.

## 1.2 The TESL Language

The TESL language [1] was initially designed to coordinate the execution of heterogeneous components during the simulation of a system. We define here a minimal kernel of operators that will form the basis of a family of specification languages, including the original TESL language, which is described at <http://wdi.supelec.fr/software/TESL/>.

### 1.2.1 Instantaneous Causal Operators

TESL has operators to deal with instantaneous causality, i.e., to react to an event occurrence in the very same observation instant.

- `c1 implies c2` means that at any instant where `c1` ticks, `c2` has to tick too.
- `c1 implies not c2` means that at any instant where `c1` ticks, `c2` cannot tick.
- `c1 kills c2` means that at any instant where `c1` ticks, and at any future instant, `c2` cannot tick.

### 1.2.2 Temporal Operators

TESL also has chronometric temporal operators that deal with dates and chronometric delays.

- `c sporadic t` means that clock `c` must have a tick at time `t` on its own time scale.
- `c1 sporadic t on c2` means that clock `c1` must have a tick at an instant where the time on `c2` is `t`.
- `c1 time delayed by d on m implies c2` means that every time clock `c1` ticks, `c2` must have a tick at the first instant where the time on `m` is `d` later than it was when `c1` had ticked. This means that every tick on `c1` is followed by a tick on `c2` after a delay `d` measured on the time scale of clock `m`.
- `time relation (c1, c2) in R` means that at every instant, the current time on clocks `c1` and `c2` must be in relation `R`. By default, the time lines of different clocks are independent. This operator allows us to link two time lines, for instance to model the fact that time in a GPS satellite and time in a GPS receiver on Earth are not the same but are related. Time being polymorphic in TESL, this can also be used to model the fact that the angular position on the camshaft of an engine moves twice as fast as the angular position on the crankshaft <sup>1</sup>. We may consider only linear arithmetic relations to restrict the problem to a domain where the resolution is decidable.

---

<sup>1</sup>See <http://wdi.supelec.fr/software/TESL/GalleryEngine> for more details

### 1.2.3 Asynchronous Operators

The last category of TESL operators allows the specification of asynchronous relations between event occurrences. They do not specify the precise instants at which ticks have to occur, they only put bounds on the set of instants at which they should occur.

- **c1 weakly precedes c2** means that for each tick on **c2**, there must be at least one tick on **c1** at a previous or at the same instant. This can also be expressed by stating that at each instant, the number of ticks since the beginning of the run must be lower or equal on **c2** than on **c1**.
- **c1 strictly precedes c2** means that for each tick on **c2**, there must be at least one tick on **c1** at a previous instant. This can also be expressed by saying that at each instant, the number of ticks on **c2** from the beginning of the run to this instant, must be lower or equal to the number of ticks on **c1** from the beginning of the run to the previous instant.



## Chapter 2

# The Core of the TESL Language: Syntax and Basics

```
theory TESL
imports Main
```

```
begin
```

### 2.1 Syntactic Representation

We define here the syntax of TESL specifications.

#### 2.1.1 Basic elements of a specification

The following items appear in specifications:

- Clocks, which are identified by a name.
- Tag constants are just constants of a type which denotes the metric time space.

```
datatype clock = Clk <string>
type_synonym instant_index = <nat>
```

```
datatype 'τ tag_const = TConst (the_tag_const : 'τ) (<τest>)
```

#### 2.1.2 Operators for the TESL language

The type of atomic TESL constraints, which can be combined to form specifications.

```
datatype 'τ TESL_atomic =
  SporadicOn <clock> <'τ tag_const> <clock> (<_ sporadic _ on _> 55)
| TagRelation <clock> <clock> <('τ tag_const × 'τ tag_const) ⇒ bool>
  (<time-relation [_, _] ∈ _> 55)
| Implies <clock> <clock> (infixr <implies> 55)
| ImpliesNot <clock> <clock> (infixr <implies not> 55)
| TimeDelayedBy <clock> <'τ tag_const> <clock> <clock>
  (<_ time-delayed by _ on _ implies _> 55)
```

```

| WeaklyPrecedes <clock> <clock> (infixr <weakly precedes> 55)
| StrictlyPrecedes <clock> <clock> (infixr <strictly precedes> 55)
| Kills <clock> <clock> (infixr <kills> 55)

```

A TESL formula is just a list of atomic constraints, with implicit conjunction for the semantics.

```
type_synonym 'τ TESL_formula = '<'τ TESL_atomic list>
```

We call *positive atoms* the atomic constraints that create ticks from nothing. Only sporadic constraints are positive in the current version of TESL.

```

fun positive_atom :: '<'τ TESL_atomic ⇒ bool> where
  <positive_atom (_ sporadic _ on _) = True>
| <positive_atom _ = False>

```

The NoSporadic function removes sporadic constraints from a TESL formula.

```

abbreviation NoSporadic :: '<'τ TESL_formula ⇒ 'τ TESL_formula>
where
  <NoSporadic f ≡ (List.filter (λfatom. case fatom of
    _ sporadic _ on _ ⇒ False
  | _ ⇒ True) f)>

```

### 2.1.3 Field Structure of the Metric Time Space

In order to handle tag relations and delays, tags must belong to a field. We show here that this is the case when the type parameter of 'τ tag\_const is itself a field.

```

instantiation tag_const :: (field)field
begin
  fun inverse_tag_const
  where <inverse (τcst t) = τcst (inverse t)>

  fun divide_tag_const
  where <divide (τcst t1) (τcst t2) = τcst (divide t1 t2)>

  fun uminus_tag_const
  where <uminus (τcst t) = τcst (uminus t)>

  fun minus_tag_const
  where <minus (τcst t1) (τcst t2) = τcst (minus t1 t2)>

  definition <one_tag_const ≡ τcst 1>

  fun times_tag_const
  where <times (τcst t1) (τcst t2) = τcst (times t1 t2)>

  definition <zero_tag_const ≡ τcst 0>

  fun plus_tag_const
  where <plus (τcst t1) (τcst t2) = τcst (plus t1 t2)>

instance <proof>

end

For comparing dates (which are represented by tags) on clocks, we need an order on tags.

instantiation tag_const :: (order)order
begin

```

```

inductive less_eq_tag_const :: <'a tag_const  $\Rightarrow$  'a tag_const  $\Rightarrow$  bool>
where
  Int_less_eq[simp]:      <n  $\leq$  m  $\implies$  (TConst n)  $\leq$  (TConst m)>

definition less_tag: <(x::'a tag_const) < y  $\iff$  (x  $\leq$  y)  $\wedge$  (x  $\neq$  y)>

instance <proof>
end

```

For ensuring that time does never flow backwards, we need a total order on tags.

```

instantiation tag_const :: (linorder)linorder
begin
  instance <proof>
end
end

```

## 2.2 Defining Runs

```

theory Run
imports TESL

```

```

begin

```

Runs are sequences of instants, and each instant maps a clock to a pair  $(h, t)$  where  $h$  indicates whether the clock ticks or not, and  $t$  is the current time on this clock. The first element of the pair is called the *hamlet* of the clock (to tick or not to tick), the second element is called the *time*.

```

abbreviation hamlet where <hamlet  $\equiv$  fst>
abbreviation time   where <time  $\equiv$  snd>

type_synonym 'τ instant = <clock  $\Rightarrow$  (bool  $\times$  'τ tag_const)>

```

Runs have the additional constraint that time cannot go backwards on any clock in the sequence of instants. Therefore, for any clock, the time projection of a run is monotonous.

```

typedef (overloaded) 'τ::linordered_field run =
  <{ ρ::nat  $\Rightarrow$  'τ instant.  $\forall c$ . mono ( $\lambda n$ . time (ρ n c)) }>
<proof>

```

```

lemma Abs_run_inverse_rewrite:
  < $\forall c$ . mono ( $\lambda n$ . time (ρ n c))  $\implies$  Rep_run (Abs_run ρ) = ρ>
<proof>

```

A *dense* run is a run in which something happens (at least one clock ticks) at every instant.

```

definition <dense_run ρ  $\equiv$  ( $\forall n$ .  $\exists c$ . hamlet ((Rep_run ρ) n c))>

```

run\_tick\_count ρ K n counts the number of ticks on clock K in the interval  $[0, n]$  of run ρ.

```

fun run_tick_count :: <'τ::linordered_field> run  $\Rightarrow$  clock  $\Rightarrow$  nat  $\Rightarrow$  nat>
  (<# $\leq$  _ _ _>)
where
  <# $\leq$  ρ K 0>      = (if hamlet ((Rep_run ρ) 0 K)
    then 1

```

```

      else 0) >
| <(#≤ ρ K (Suc n)) = (if hamlet ((Rep_run ρ) (Suc n) K)
      then 1 + (#≤ ρ K n)
      else (#≤ ρ K n))>

```

`run_tick_count_strictly ρ K n` counts the number of ticks on clock `K` in the interval  $[0, n[$  of run  $\rho$ .

```

fun run_tick_count_strictly :: <'τ::linordered_field> run ⇒ clock ⇒ nat ⇒ nat>
  (<#< _ _ _>)
where
  <(#< ρ K 0) = 0>
| <(#< ρ K (Suc n)) = #≤ ρ K n>

```

`first_time ρ K n τ` tells whether instant `n` in run  $\rho$  is the first one where the time on clock `K` reaches  $\tau$ .

```

definition first_time :: <'a::linordered_field run ⇒ clock ⇒ nat ⇒ 'a tag_const
  ⇒ bool>
where
  <first_time ρ K n τ ≡ (time ((Rep_run ρ) n K) = τ)
    ∧ (∄n'. n' < n ∧ time ((Rep_run ρ) n' K) = τ)>

```

The time on a clock is necessarily less than  $\tau$  before the first instant at which it reaches  $\tau$ .

```

lemma before_first_time:
  assumes <first_time ρ K n τ>
  and <m < n>
  shows <time ((Rep_run ρ) m K) < τ>
<proof>

```

This leads to an alternate definition of `first_time`:

```

lemma alt_first_time_def:
  assumes <∀m < n. time ((Rep_run ρ) m K) < τ>
  and <time ((Rep_run ρ) n K) = τ>
  shows <first_time ρ K n τ>
<proof>

end

```

# Chapter 3

## Denotational Semantics

```
theory Denotational
imports
  TESL
  Run
```

**begin**

The denotational semantics maps TESL formulae to sets of satisfying runs. Firstly, we define the semantics of atomic formulae (basic constructs of the TESL language), then we define the semantics of compound formulae as the intersection of the semantics of their components: a run must satisfy all the individual formulae of a compound formula.

### 3.1 Denotational interpretation for atomic TESL formulae

```
fun TESL_interpretation_atomic
  :: <('τ::linordered_field) TESL_atomic ⇒ 'τ run set> (<[[ _ ]]TESL>)
where
  — K1 sporadic τ on K2 means that K1 should tick at an instant where the time on K2 is τ.
  <[[ K1 sporadic τ on K2 ]]TESL =
    {ϱ. ∃n::nat. hamlet ((Rep_run ϱ) n K1) ∧ time ((Rep_run ϱ) n K2) = τ}>
  — time-relation [K1, K2] ∈ R means that at each instant, the time on K1 and the time on K2 are in relation R.
  | <[[ time-relation [K1, K2] ∈ R ]]TESL =
    {ϱ. ∀n::nat. R (time ((Rep_run ϱ) n K1), time ((Rep_run ϱ) n K2))}>
  — master implies slave means that at each instant at which master ticks, slave also ticks.
  | <[[ master implies slave ]]TESL =
    {ϱ. ∀n::nat. hamlet ((Rep_run ϱ) n master) → hamlet ((Rep_run ϱ) n slave)}>
  — master implies not slave means that at each instant at which master ticks, slave does not tick.
  | <[[ master implies not slave ]]TESL =
    {ϱ. ∀n::nat. hamlet ((Rep_run ϱ) n master) → ¬hamlet ((Rep_run ϱ) n slave)}>
  — master time-delayed by δτ on measuring implies slave means that at each instant at which master ticks,
    slave will tick after a delay δτ measured on the time scale of measuring.
  | <[[ master time-delayed by δτ on measuring implies slave ]]TESL =
    — When master ticks, let's call t0 the current date on measuring. Then, at the first instant when the date on
    measuring is t0 + δt, slave has to tick.
    {ϱ. ∀n. hamlet ((Rep_run ϱ) n master) →
      (let measured_time = time ((Rep_run ϱ) n measuring) in
       ∀m ≥ n. first_time ϱ measuring m (measured_time + δτ))}
```

$\longrightarrow \text{hamlet } ((\text{Rep\_run } \varrho) \text{ m slave})$   
 $\rangle$   
 $\rangle$   
 —  $K_1$  weakly precedes  $K_2$  means that each tick on  $K_2$  must be preceded by or coincide with at least one tick on  $K_1$ . Therefore, at each instant  $n$ , the number of ticks on  $K_2$  must be less or equal to the number of ticks on  $K_1$ .  
 $\mid \langle \llbracket K_1 \text{ weakly precedes } K_2 \rrbracket_{TESL} =$   
 $\quad \{\varrho. \forall n::\text{nat. } (\text{run\_tick\_count } \varrho \text{ } K_2 \text{ } n) \leq (\text{run\_tick\_count } \varrho \text{ } K_1 \text{ } n)\} \rangle$   
 —  $K_1$  strictly precedes  $K_2$  means that each tick on  $K_2$  must be preceded by at least one tick on  $K_1$  at a previous instant. Therefore, at each instant  $n$ , the number of ticks on  $K_2$  must be less or equal to the number of ticks on  $K_1$  at instant  $n - 1$ .  
 $\mid \langle \llbracket K_1 \text{ strictly precedes } K_2 \rrbracket_{TESL} =$   
 $\quad \{\varrho. \forall n::\text{nat. } (\text{run\_tick\_count } \varrho \text{ } K_2 \text{ } n) \leq (\text{run\_tick\_count\_strictly } \varrho \text{ } K_1 \text{ } n)\} \rangle$   
 —  $K_1$  kills  $K_2$  means that when  $K_1$  ticks,  $K_2$  cannot tick and is not allowed to tick at any further instant.  
 $\mid \langle \llbracket K_1 \text{ kills } K_2 \rrbracket_{TESL} =$   
 $\quad \{\varrho. \forall n::\text{nat. } \text{hamlet } ((\text{Rep\_run } \varrho) \text{ } n \text{ } K_1)$   
 $\quad \longrightarrow (\forall m \geq n. \neg \text{hamlet } ((\text{Rep\_run } \varrho) \text{ } m \text{ } K_2))\} \rangle$

## 3.2 Denotational interpretation for TESL formulae

To satisfy a formula, a run has to satisfy the conjunction of its atomic formulae. Therefore, the interpretation of a formula is the intersection of the interpretations of its components.

**fun** `TESL_interpretation` ::  $\langle ('\tau::\text{linordered\_field}) \text{ TESL\_formula} \Rightarrow '\tau \text{ run set} \rangle$   
 $\langle \llbracket \_ \rrbracket_{TESL} \rangle$

**where**

$\langle \llbracket \square \rrbracket_{TESL} = \{ \_ . \text{True} \} \rangle$   
 $\mid \langle \llbracket \varphi \# \Phi \rrbracket_{TESL} = \llbracket \varphi \rrbracket_{TESL} \cap \llbracket \Phi \rrbracket_{TESL} \rangle$

**lemma** `TESL_interpretation_homo`:

$\langle \llbracket \varphi \rrbracket_{TESL} \cap \llbracket \Phi \rrbracket_{TESL} = \llbracket \varphi \# \Phi \rrbracket_{TESL} \rangle$   
 $\langle \text{proof} \rangle$

### 3.2.1 Image interpretation lemma

**theorem** `TESL_interpretation_image`:

$\langle \llbracket \Phi \rrbracket_{TESL} = \bigcap ((\lambda \varphi. \llbracket \varphi \rrbracket_{TESL}) \text{ ' set } \Phi) \rangle$   
 $\langle \text{proof} \rangle$

### 3.2.2 Expansion law

Similar to the expansion laws of lattices.

**theorem** `TESL_interp_homo_append`:

$\langle \llbracket \Phi_1 @ \Phi_2 \rrbracket_{TESL} = \llbracket \Phi_1 \rrbracket_{TESL} \cap \llbracket \Phi_2 \rrbracket_{TESL} \rangle$   
 $\langle \text{proof} \rangle$

## 3.3 Equational laws for the denotation of TESL formulae

**lemma** `TESL_interp_assoc`:

$\langle \llbracket (\Phi_1 @ \Phi_2) @ \Phi_3 \rrbracket_{TESL} = \llbracket \Phi_1 @ (\Phi_2 @ \Phi_3) \rrbracket_{TESL} \rangle$   
 $\langle \text{proof} \rangle$

**lemma** `TESL_interp_commute`:

**shows**  $\langle \llbracket \Phi_1 @ \Phi_2 \rrbracket_{TESL} = \llbracket \Phi_2 @ \Phi_1 \rrbracket_{TESL} \rangle$   
 $\langle \text{proof} \rangle$

**lemma** `TESL_interp_left_commute`:  
 $\langle \llbracket \Phi_1 \circ (\Phi_2 \circ \Phi_3) \rrbracket_{TESL} = \llbracket \Phi_2 \circ (\Phi_1 \circ \Phi_3) \rrbracket_{TESL} \rangle$   
*<proof>*

**lemma** `TESL_interp_idem`:  
 $\langle \llbracket \Phi \circ \Phi \rrbracket_{TESL} = \llbracket \Phi \rrbracket_{TESL} \rangle$   
*<proof>*

**lemma** `TESL_interp_left_idem`:  
 $\langle \llbracket \Phi_1 \circ (\Phi_1 \circ \Phi_2) \rrbracket_{TESL} = \llbracket \Phi_1 \circ \Phi_2 \rrbracket_{TESL} \rangle$   
*<proof>*

**lemma** `TESL_interp_right_idem`:  
 $\langle \llbracket (\Phi_1 \circ \Phi_2) \circ \Phi_2 \rrbracket_{TESL} = \llbracket \Phi_1 \circ \Phi_2 \rrbracket_{TESL} \rangle$   
*<proof>*

**lemmas** `TESL_interp_aci = TESL_interp_commute`  
`TESL_interp_assoc`  
`TESL_interp_left_commute`  
`TESL_interp_left_idem`

The empty formula is the identity element.

**lemma** `TESL_interp_neutral1`:  
 $\langle \llbracket \square \circ \Phi \rrbracket_{TESL} = \llbracket \Phi \rrbracket_{TESL} \rangle$   
*<proof>*

**lemma** `TESL_interp_neutral2`:  
 $\langle \llbracket \Phi \circ \square \rrbracket_{TESL} = \llbracket \Phi \rrbracket_{TESL} \rangle$   
*<proof>*

### 3.4 Decreasing interpretation of TESL formulae

Adding constraints to a TESL formula reduces the number of satisfying runs.

**lemma** `TESL_sem_decreases_head`:  
 $\langle \llbracket \Phi \rrbracket_{TESL} \supseteq \llbracket \varphi \# \Phi \rrbracket_{TESL} \rangle$   
*<proof>*

**lemma** `TESL_sem_decreases_tail`:  
 $\langle \llbracket \Phi \rrbracket_{TESL} \supseteq \llbracket \Phi \circ [\varphi] \rrbracket_{TESL} \rangle$   
*<proof>*

Repeating a formula in a specification does not change the specification.

**lemma** `TESL_interp_formula_stuttering`:  
**assumes**  $\langle \varphi \in \text{set } \Phi \rangle$   
**shows**  $\langle \llbracket \varphi \# \Phi \rrbracket_{TESL} = \llbracket \Phi \rrbracket_{TESL} \rangle$   
*<proof>*

Removing duplicate formulae in a specification does not change the specification.

**lemma** `TESL_interp_remdups_absorb`:  
 $\langle \llbracket \Phi \rrbracket_{TESL} = \llbracket \text{remdups } \Phi \rrbracket_{TESL} \rangle$   
*<proof>*

Specifications that contain the same formulae have the same semantics.

**lemma** `TESL_interp_set_lifting`:  
**assumes**  $\langle \text{set } \Phi = \text{set } \Phi' \rangle$

**shows**  $\langle \llbracket \Phi \rrbracket_{TESL} = \llbracket \Phi' \rrbracket_{TESL} \rangle$   
*<proof>*

The semantics of specifications is contravariant with respect to their inclusion.

**theorem** `TESL_interp_decreases_setinc`:  
**assumes**  $\langle \text{set } \Phi \subseteq \text{set } \Phi' \rangle$   
**shows**  $\langle \llbracket \Phi \rrbracket_{TESL} \supseteq \llbracket \Phi' \rrbracket_{TESL} \rangle$   
*<proof>*

**lemma** `TESL_interp_decreases_add_head`:  
**assumes**  $\langle \text{set } \Phi \subseteq \text{set } \Phi' \rangle$   
**shows**  $\langle \llbracket \varphi \# \Phi \rrbracket_{TESL} \supseteq \llbracket \varphi \# \Phi' \rrbracket_{TESL} \rangle$   
*<proof>*

**lemma** `TESL_interp_decreases_add_tail`:  
**assumes**  $\langle \text{set } \Phi \subseteq \text{set } \Phi' \rangle$   
**shows**  $\langle \llbracket \Phi @ [\varphi] \rrbracket_{TESL} \supseteq \llbracket \Phi' @ [\varphi] \rrbracket_{TESL} \rangle$   
*<proof>*

**lemma** `TESL_interp_absorb1`:  
**assumes**  $\langle \text{set } \Phi_1 \subseteq \text{set } \Phi_2 \rangle$   
**shows**  $\langle \llbracket \Phi_1 @ \Phi_2 \rrbracket_{TESL} = \llbracket \Phi_2 \rrbracket_{TESL} \rangle$   
*<proof>*

**lemma** `TESL_interp_absorb2`:  
**assumes**  $\langle \text{set } \Phi_2 \subseteq \text{set } \Phi_1 \rangle$   
**shows**  $\langle \llbracket \Phi_1 @ \Phi_2 \rrbracket_{TESL} = \llbracket \Phi_1 \rrbracket_{TESL} \rangle$   
*<proof>*

### 3.5 Some special cases

**lemma** `NoSporadic_stable [simp]`:  
 $\langle \llbracket \Phi \rrbracket_{TESL} \subseteq \llbracket \text{NoSporadic } \Phi \rrbracket_{TESL} \rangle$   
*<proof>*

**lemma** `NoSporadic_idem [simp]`:  
 $\langle \llbracket \Phi \rrbracket_{TESL} \cap \llbracket \text{NoSporadic } \Phi \rrbracket_{TESL} = \llbracket \Phi \rrbracket_{TESL} \rangle$   
*<proof>*

**lemma** `NoSporadic_setinc`:  
 $\langle \text{set } (\text{NoSporadic } \Phi) \subseteq \text{set } \Phi \rangle$   
*<proof>*  
**end**



## Chapter 4

# Symbolic Primitives for Building Runs

```
theory SymbolicPrimitive
  imports Run
```

```
begin
```

We define here the primitive constraints on runs, towards which we translate TESL specifications in the operational semantics. These constraints refer to a specific symbolic run and can therefore access properties of the run at particular instants (for instance, the fact that a clock ticks at instant  $n$  of the run, or the time on a given clock at that instant).

In the previous chapters, we had no reference to particular instants of a run because the TESL language should be invariant by stuttering in order to allow the composition of specifications: adding an instant where no clock ticks to a run that satisfies a formula should yield another run that satisfies the same formula. However, when constructing runs that satisfy a formula, we need to be able to refer to the time or hamlet of a clock at a given instant.

Counter expressions are used to get the number of ticks of a clock up to (strictly or not) a given instant index.

```
datatype cnt_expr =
  TickCountLess <clock> <instant_index> (<#<>)
| TickCountLeq <clock> <instant_index> (<#≤>)
```

### 4.0.1 Symbolic Primitives for Runs

Tag values are used to refer to the time on a clock at a given instant index.

```
datatype tag_val =
  TSchematic <clock * instant_index> (<τvar>)
```

```
datatype 'τ constr =
```

—  $c \downarrow n @ \tau$  constrains clock  $c$  to have time  $\tau$  at instant  $n$  of the run.

```
  Timestamp <clock> <instant_index> <'τ tag_const> (<_ ↓ _ @ _>)
```

—  $m @ n \oplus \delta t \Rightarrow s$  constrains clock  $s$  to tick at the first instant at which the time on  $m$  has increased by  $\delta t$  from the value it had at instant  $n$  of the run.

```
  | TimeDelay <clock> <instant_index> <'τ tag_const> <clock> (<_ @ _ ⊕ _ ⇒ _>)
```

—  $c \uparrow n$  constrains clock  $c$  to tick at instant  $n$  of the run.

```

| Ticks      <clock> <instant_index>          (<_ ↑ _>)
— c ↑ n constrains clock c not to tick at instant n of the run.

| NotTicks   <clock> <instant_index>          (<_ ¬↑ _>)
— c ¬↑ n constrains clock c not to tick before instant n of the run.

| NotTicksUntil <clock> <instant_index>      (<_ ¬↑ < _>)
— c ¬↑ ≥ n constrains clock c not to tick at and after instant n of the run.

| NotTicksFrom <clock> <instant_index>      (<_ ¬↑ ≥ _>)
— [τ1, τ2] ∈ R constrains tag variables τ1 and τ2 to be in relation R.

| TagArith   <tag_val> <tag_val> <('τ tag_const × 'τ tag_const) ⇒ bool> (<[_ , _] ∈ _>)
— [k1, k2] ∈ R constrains counter expressions k1 and k2 to be in relation R.

| TickCntArith <cnt_expr> <cnt_expr> <(nat × nat) ⇒ bool> (<[_ , _] ∈ _>)
— k1 ≤ k2 constrains counter expression k1 to be less or equal to counter expression k2.

| TickCntLeq <cnt_expr> <cnt_expr>          (<_ ≤ _>)

type_synonym 'τ system = '<'τ constr list>

```

The abstract machine has configurations composed of:

- the past  $\Gamma$ , which captures choices that have already been made as a list of symbolic primitive constraints on the run;
- the current index  $n$ , which is the index of the present instant;
- the present  $\Psi$ , which captures the formulae that must be satisfied in the current instant;
- the future  $\Phi$ , which captures the constraints on the future of the run.

```

type_synonym 'τ config =
  '<'τ system * instant_index * 'τ TESL_formula * 'τ TESL_formula>

```

## 4.1 Semantics of Primitive Constraints

The semantics of the primitive constraints is defined in a way similar to the semantics of TESL formulae.

```

fun counter_expr_eval :: (<'τ::linordered_field) run ⇒ cnt_expr ⇒ nat>
  (<[_ ⊢ _ ]_cntexpr>)
where
  <[_ ⊢ #< clk indx ]_cntexpr = run_tick_count_strictly ρ clk indx>
  | <[_ ⊢ #≤ clk indx ]_cntexpr = run_tick_count ρ clk indx>

fun symbolic_run_interpretation_primitive
  :: (<'τ::linordered_field) constr ⇒ 'τ run set> (<[_ ]_prim>)
where
  <[_ K ↑ n ]_prim = {ρ. hamlet ((Rep_run ρ) n K) }>
  | <[_ K @ n0 ⊕ δt ⇒ K' ]_prim =
    {ρ. ∀n ≥ n0. first_time ρ K n (time ((Rep_run ρ) n0 K) + δt)
      → hamlet ((Rep_run ρ) n K')}>
  | <[_ K ¬↑ n ]_prim = {ρ. ¬hamlet ((Rep_run ρ) n K) }>
  | <[_ K ¬↑ < n ]_prim = {ρ. ∀i < n. ¬ hamlet ((Rep_run ρ) i K)}>
  | <[_ K ¬↑ ≥ n ]_prim = {ρ. ∀i ≥ n. ¬ hamlet ((Rep_run ρ) i K) }>
  | <[_ K ↓ n @ τ ]_prim = {ρ. time ((Rep_run ρ) n K) = τ }>
  | <[_ [τvar(K1, n1), τvar(K2, n2)] ∈ R ]_prim =
    { ρ. R (time ((Rep_run ρ) n1 K1), time ((Rep_run ρ) n2 K2)) }>

```

```

| <[[ [e1, e2] ∈ R ]]prim = { ρ. R ( [[ ρ ⊢ e1 ]]cntexpr, [[ ρ ⊢ e2 ]]cntexpr) }>
| <[[ cnt_e1 ≤ cnt_e2 ]]prim = { ρ. [[ ρ ⊢ cnt_e1 ]]cntexpr ≤ [[ ρ ⊢ cnt_e2 ]]cntexpr }>

```

The composition of primitive constraints is their conjunction, and we get the set of satisfying runs by intersection.

```

fun symbolic_run_interpretation
  :: <('τ::linordered_field) constr list ⇒ ('τ::linordered_field) run set>
  (<[[ [ ] ]]prim>)
where
  <[[ [ ] ]]prim = {ρ. True }>
| <[[ γ # Γ ]]prim = [[ γ ]]prim ∩ [[ Γ ]]prim>

lemma symbolic_run_interp_cons_morph:
  <[[ γ ]]prim ∩ [[ Γ ]]prim = [[ γ # Γ ]]prim>
<proof>

definition consistent_context :: <('τ::linordered_field) constr list ⇒ bool>
where
  <consistent_context Γ ≡ ( [[ Γ ]]prim ≠ {} ) >

```

### 4.1.1 Defining a method for witness construction

In order to build a run, we can start from an initial run in which no clock ticks and the time is always 0 on any clock.

```

abbreviation initial_run :: <('τ::linordered_field) run> (<ρ0>) where
  <ρ0 ≡ Abs_run ((λ_ . (False, τcost 0)) :: nat ⇒ clock ⇒ (bool × 'τ tag_const))>

```

To help avoiding that time flows backward, setting the time on a clock at a given instant sets it for the future instants too.

```

fun time_update
  :: <nat ⇒ clock ⇒ ('τ::linordered_field) tag_const ⇒ (nat ⇒ 'τ instant)
  ⇒ (nat ⇒ 'τ instant)>
where
  <time_update n K τ ρ = (λn' K'. if K = K' ∧ n ≤ n'
                                then (hamlet (ρ n K), τ)
                                else ρ n' K')>

```

## 4.2 Rules and properties of consistence

```

lemma context_consistency_preservationI:
  <consistent_context ((γ::('τ::linordered_field) constr)#Γ) ⇒ consistent_context Γ>
<proof>
inductive context_independency
  :: <('τ::linordered_field) constr ⇒ 'τ constr list ⇒ bool> (<_ ∋ _>)
where
  NotTicks_independency:
  <(K ↑ n) ∉ set Γ ⇒ (K ↘ n) ∋ Γ>
| Ticks_independency:
  <(K ↘ n) ∉ set Γ ⇒ (K ↑ n) ∋ Γ>
| Timestamp_independency:
  <(#τ'. τ' = τ ∧ (K ↓ n @ τ) ∈ set Γ) ⇒ (K ↓ n @ τ) ∋ Γ>

```

## 4.3 Major Theorems

### 4.3.1 Interpretation of a context

The interpretation of a context is the intersection of the interpretation of its components.

**theorem symrun\_interp\_fixpoint:**  
 $\langle \bigcap ((\lambda \gamma. [\ \gamma ]_{prim}) \text{ ` set } \Gamma) = [[\ \Gamma ]]_{prim} \rangle$   
*<proof>*

### 4.3.2 Expansion law

Similar to the expansion laws of lattices

**theorem symrun\_interp\_expansion:**  
 $\langle [[\ \Gamma_1 \ @ \ \Gamma_2 ]]_{prim} = [[\ \Gamma_1 ]]_{prim} \cap [[\ \Gamma_2 ]]_{prim} \rangle$   
*<proof>*

## 4.4 Equations for the interpretation of symbolic primitives

### 4.4.1 General laws

**lemma symrun\_interp\_assoc:**  
 $\langle [[\ (\Gamma_1 \ @ \ \Gamma_2) \ @ \ \Gamma_3 ]]_{prim} = [[\ \Gamma_1 \ @ \ (\Gamma_2 \ @ \ \Gamma_3) ]]_{prim} \rangle$   
*<proof>*

**lemma symrun\_interp\_commute:**  
 $\langle [[\ \Gamma_1 \ @ \ \Gamma_2 ]]_{prim} = [[\ \Gamma_2 \ @ \ \Gamma_1 ]]_{prim} \rangle$   
*<proof>*

**lemma symrun\_interp\_left\_commute:**  
 $\langle [[\ \Gamma_1 \ @ \ (\Gamma_2 \ @ \ \Gamma_3) ]]_{prim} = [[\ \Gamma_2 \ @ \ (\Gamma_1 \ @ \ \Gamma_3) ]]_{prim} \rangle$   
*<proof>*

**lemma symrun\_interp\_idem:**  
 $\langle [[\ \Gamma \ @ \ \Gamma ]]_{prim} = [[\ \Gamma ]]_{prim} \rangle$   
*<proof>*

**lemma symrun\_interp\_left\_idem:**  
 $\langle [[\ \Gamma_1 \ @ \ (\Gamma_1 \ @ \ \Gamma_2) ]]_{prim} = [[\ \Gamma_1 \ @ \ \Gamma_2 ]]_{prim} \rangle$   
*<proof>*

**lemma symrun\_interp\_right\_idem:**  
 $\langle [[\ (\Gamma_1 \ @ \ \Gamma_2) \ @ \ \Gamma_2 ]]_{prim} = [[\ \Gamma_1 \ @ \ \Gamma_2 ]]_{prim} \rangle$   
*<proof>*

**lemmas symrun\_interp\_aci =** symrun\_interp\_commute  
 symrun\_interp\_assoc  
 symrun\_interp\_left\_commute  
 symrun\_interp\_left\_idem

— Identity element

**lemma symrun\_interp\_neutral1:**  
 $\langle [[\ [] \ @ \ \Gamma ]]_{prim} = [[\ \Gamma ]]_{prim} \rangle$   
*<proof>*

**lemma symrun\_interp\_neutral2:**  
 $\langle [[\ \Gamma \ @ \ [] ]]_{prim} = [[\ \Gamma ]]_{prim} \rangle$

*<proof>*

#### 4.4.2 Decreasing interpretation of symbolic primitives

Adding constraints to a context reduces the number of satisfying runs.

**lemma** `TESL_sem_decreases_head:`  
 $\langle \llbracket \Gamma \rrbracket_{prim} \supseteq \llbracket \Gamma \# \gamma \rrbracket_{prim} \rangle$   
*<proof>*

**lemma** `TESL_sem_decreases_tail:`  
 $\langle \llbracket \Gamma \rrbracket_{prim} \supseteq \llbracket \Gamma \circ [\gamma] \rrbracket_{prim} \rangle$   
*<proof>*

Adding a constraint that is already in the context does not change the interpretation of the context.

**lemma** `symrun_interp_formula_stuttering:`  
**assumes**  $\langle \gamma \in \text{set } \Gamma \rangle$   
**shows**  $\langle \llbracket \Gamma \# \gamma \rrbracket_{prim} = \llbracket \Gamma \rrbracket_{prim} \rangle$   
*<proof>*

Removing duplicate constraints from a context does not change the interpretation of the context.

**lemma** `symrun_interp_remdups_absorb:`  
 $\langle \llbracket \Gamma \rrbracket_{prim} = \llbracket \text{remdups } \Gamma \rrbracket_{prim} \rangle$   
*<proof>*

Two identical sets of constraints have the same interpretation, the order in the context does not matter.

**lemma** `symrun_interp_set_lifting:`  
**assumes**  $\langle \text{set } \Gamma = \text{set } \Gamma' \rangle$   
**shows**  $\langle \llbracket \Gamma \rrbracket_{prim} = \llbracket \Gamma' \rrbracket_{prim} \rangle$   
*<proof>*

The interpretation of contexts is contravariant with regard to set inclusion.

**theorem** `symrun_interp_decreases_setinc:`  
**assumes**  $\langle \text{set } \Gamma \subseteq \text{set } \Gamma' \rangle$   
**shows**  $\langle \llbracket \Gamma \rrbracket_{prim} \supseteq \llbracket \Gamma' \rrbracket_{prim} \rangle$   
*<proof>*

**lemma** `symrun_interp_decreases_add_head:`  
**assumes**  $\langle \text{set } \Gamma \subseteq \text{set } \Gamma' \rangle$   
**shows**  $\langle \llbracket \Gamma \# \gamma \rrbracket_{prim} \supseteq \llbracket \Gamma' \# \gamma \rrbracket_{prim} \rangle$   
*<proof>*

**lemma** `symrun_interp_decreases_add_tail:`  
**assumes**  $\langle \text{set } \Gamma \subseteq \text{set } \Gamma' \rangle$   
**shows**  $\langle \llbracket \Gamma \circ [\gamma] \rrbracket_{prim} \supseteq \llbracket \Gamma' \circ [\gamma] \rrbracket_{prim} \rangle$   
*<proof>*

**lemma** `symrun_interp_absorb1:`  
**assumes**  $\langle \text{set } \Gamma_1 \subseteq \text{set } \Gamma_2 \rangle$   
**shows**  $\langle \llbracket \Gamma_1 \circ \Gamma_2 \rrbracket_{prim} = \llbracket \Gamma_2 \rrbracket_{prim} \rangle$   
*<proof>*

**lemma** `symrun_interp_absorb2:`  
**assumes**  $\langle \text{set } \Gamma_2 \subseteq \text{set } \Gamma_1 \rangle$

**shows**  $\langle \llbracket \Gamma_1 @ \Gamma_2 \rrbracket_{prim} = \llbracket \Gamma_1 \rrbracket_{prim} \rangle$   
*<proof>*  
**end**

# Chapter 5

## Operational Semantics

```
theory Operational
imports
  SymbolicPrimitive
```

```
begin
```

The operational semantics defines rules to build symbolic runs from a TESL specification (a set of TESL formulae). Symbolic runs are described using the symbolic primitives presented in the previous chapter. Therefore, the operational semantics compiles a set of constraints on runs, as defined by the denotational semantics, into a set of symbolic constraints on the instants of the runs. Concrete runs can then be obtained by solving the constraints at each instant.

### 5.1 Operational steps

We introduce a notation to describe configurations:

- $\Gamma$  is the context, the set of symbolic constraints on past instants of the run;
- $n$  is the index of the current instant, the present;
- $\Psi$  is the TESL formula that must be satisfied at the current instant (present);
- $\Phi$  is the TESL formula that must be satisfied for the following instants (the future).

```
abbreviation uncurry_conf
  :: (<'τ::linordered_field) system ⇒ instant_index ⇒ 'τ TESL_formula ⇒ 'τ TESL_formula
  ⇒ 'τ config > (⟨_, _ ⊢ _ ▷ _⟩ 80)
```

```
where
```

```
⟨Γ, n ⊢ Ψ ▷ Φ⟩ ≡ (Γ, n, Ψ, Φ) >
```

The only introduction rule allows us to progress to the next instant when there are no more constraints to satisfy for the present instant.

```
inductive operational_semantics_intro
  :: (<'τ::linordered_field) config ⇒ 'τ config ⇒ bool > (⟨_ ↦i _⟩ 70)
where
  instant_i:
```

$$\langle \Gamma, n \vdash [] \triangleright \Phi \rangle \hookrightarrow_i \langle \Gamma, \text{Suc } n \vdash \Phi \triangleright [] \rangle$$

The elimination rules describe how TESL formulae for the present are transformed into constraints on the past and on the future.

**inductive operational\_semantics\_elim**

$$:: \langle ' \tau :: \text{linordered\_field} \rangle \text{ config} \Rightarrow ' \tau \text{ config} \Rightarrow \text{bool} \quad (\langle \_ \hookrightarrow_e \_ \rangle 70)$$

**where**

**sporadic\_on\_e1:**

— A sporadic constraint can be ignored in the present and rejected into the future.

$$\langle \Gamma, n \vdash ((K_1 \text{ sporadic } \tau \text{ on } K_2) \# \Psi) \triangleright \Phi \rangle \\ \hookrightarrow_e \langle \Gamma, n \vdash \Psi \triangleright ((K_1 \text{ sporadic } \tau \text{ on } K_2) \# \Phi) \rangle$$

**| sporadic\_on\_e2:**

— It can also be handled in the present by making the clock tick and have the expected time. Once it has been handled, it is no longer a constraint to satisfy, so it disappears from the future.

$$\langle \Gamma, n \vdash ((K_1 \text{ sporadic } \tau \text{ on } K_2) \# \Psi) \triangleright \Phi \rangle \\ \hookrightarrow_e \langle ((K_1 \uparrow n) \# (K_2 \downarrow n \oplus \tau) \# \Gamma), n \vdash \Psi \triangleright \Phi \rangle$$

**| tagrel\_e:**

— A relation between time scales has to be obeyed at every instant.

$$\langle \Gamma, n \vdash ((\text{time-relation } [K_1, K_2] \in \mathbb{R}) \# \Psi) \triangleright \Phi \rangle \\ \hookrightarrow_e \langle ((\lfloor \tau_{var}(K_1, n), \tau_{var}(K_2, n) \rfloor \in \mathbb{R}) \# \Gamma), n \\ \vdash \Psi \triangleright ((\text{time-relation } [K_1, K_2] \in \mathbb{R}) \# \Phi) \rangle$$

**| implies\_e1:**

— An implication can be handled in the present by forbidding a tick of the master clock. The implication is copied back into the future because it holds for the whole run.

$$\langle \Gamma, n \vdash ((K_1 \text{ implies } K_2) \# \Psi) \triangleright \Phi \rangle \\ \hookrightarrow_e \langle ((K_1 \neg \uparrow n) \# \Gamma), n \vdash \Psi \triangleright ((K_1 \text{ implies } K_2) \# \Phi) \rangle$$

**| implies\_e2:**

— It can also be handled in the present by making both the master and the slave clocks tick.

$$\langle \Gamma, n \vdash ((K_1 \text{ implies } K_2) \# \Psi) \triangleright \Phi \rangle \\ \hookrightarrow_e \langle ((K_1 \uparrow n) \# (K_2 \uparrow n) \# \Gamma), n \vdash \Psi \triangleright ((K_1 \text{ implies } K_2) \# \Phi) \rangle$$

**| implies\_not\_e1:**

— A negative implication can be handled in the present by forbidding a tick of the master clock. The implication is copied back into the future because it holds for the whole run.

$$\langle \Gamma, n \vdash ((K_1 \text{ implies not } K_2) \# \Psi) \triangleright \Phi \rangle \\ \hookrightarrow_e \langle ((K_1 \neg \uparrow n) \# \Gamma), n \vdash \Psi \triangleright ((K_1 \text{ implies not } K_2) \# \Phi) \rangle$$

**| implies\_not\_e2:**

— It can also be handled in the present by making the master clock ticks and forbidding a tick on the slave clock.

$$\langle \Gamma, n \vdash ((K_1 \text{ implies not } K_2) \# \Psi) \triangleright \Phi \rangle \\ \hookrightarrow_e \langle ((K_1 \uparrow n) \# (K_2 \neg \uparrow n) \# \Gamma), n \vdash \Psi \triangleright ((K_1 \text{ implies not } K_2) \# \Phi) \rangle$$

**| timedelayed\_e1:**

— A timed delayed implication can be handled by forbidding a tick on the master clock.

$$\langle \Gamma, n \vdash ((K_1 \text{ time-delayed by } \delta\tau \text{ on } K_2 \text{ implies } K_3) \# \Psi) \triangleright \Phi \rangle \\ \hookrightarrow_e \langle ((K_1 \neg \uparrow n) \# \Gamma), n \vdash \Psi \triangleright ((K_1 \text{ time-delayed by } \delta\tau \text{ on } K_2 \text{ implies } K_3) \# \Phi) \rangle$$

**| timedelayed\_e2:**

— It can also be handled by making the master clock tick and adding a constraint that makes the slave clock tick when the delay has elapsed on the measuring clock.

$$\langle \Gamma, n \vdash ((K_1 \text{ time-delayed by } \delta\tau \text{ on } K_2 \text{ implies } K_3) \# \Psi) \triangleright \Phi \rangle \\ \hookrightarrow_e \langle ((K_1 \uparrow n) \# (K_2 \oplus n \oplus \delta\tau \Rightarrow K_3) \# \Gamma), n \\ \vdash \Psi \triangleright ((K_1 \text{ time-delayed by } \delta\tau \text{ on } K_2 \text{ implies } K_3) \# \Phi) \rangle$$

**| weakly\_precedes\_e:**

— A weak precedence relation has to hold at every instant.

$$\langle \Gamma, n \vdash ((K_1 \text{ weakly precedes } K_2) \# \Psi) \triangleright \Phi \rangle \\ \hookrightarrow_e \langle ((\lfloor \# \leq K_2 n, \# \leq K_1 n \rfloor \in (\lambda(x,y). x \leq y)) \# \Gamma), n \\ \vdash \Psi \triangleright ((K_1 \text{ weakly precedes } K_2) \# \Phi) \rangle$$

**| strictly\_precedes\_e:**

— A strict precedence relation has to hold at every instant.



$\langle \Gamma, n \vdash ((K_1 \text{ strictly precedes } K_2) \# \Psi) \triangleright \Phi \rangle$   
 $\hookrightarrow_e \langle (\lceil \# \leq K_2 n, \# < K_1 n \rceil \in (\lambda(x,y). x \leq y)) \# \Gamma, n \vdash \Psi \triangleright ((K_1 \text{ strictly precedes } K_2) \# \Phi) \rangle$

**| kills\_e1:**  
— A kill can be handled by forbidding a tick of the triggering clock.

$\langle \Gamma, n \vdash ((K_1 \text{ kills } K_2) \# \Psi) \triangleright \Phi \rangle$   
 $\hookrightarrow_e \langle ((K_1 \dashv \uparrow n) \# \Gamma), n \vdash \Psi \triangleright ((K_1 \text{ kills } K_2) \# \Phi) \rangle$

**| kills\_e2:**  
— It can also be handled by making the triggering clock tick and by forbidding any further tick of the killed clock.

$\langle \Gamma, n \vdash ((K_1 \text{ kills } K_2) \# \Psi) \triangleright \Phi \rangle$   
 $\hookrightarrow_e \langle ((K_1 \uparrow n) \# (K_2 \dashv \uparrow \geq n) \# \Gamma), n \vdash \Psi \triangleright ((K_1 \text{ kills } K_2) \# \Phi) \rangle$

A step of the operational semantics is either the application of the introduction rule or the application of an elimination rule.

**inductive operational\_semantics\_step**  
 $:: \langle \tau :: \text{linordered\_field} \rangle \text{ config} \Rightarrow \tau \text{ config} \Rightarrow \text{bool} \rangle \quad (\langle \_ \hookrightarrow \_ \rangle 70)$

**where**

**intro\_part:**  
 $\langle \Gamma_1, n_1 \vdash \Psi_1 \triangleright \Phi_1 \rangle \hookrightarrow_i \langle \Gamma_2, n_2 \vdash \Psi_2 \triangleright \Phi_2 \rangle$   
 $\implies \langle \Gamma_1, n_1 \vdash \Psi_1 \triangleright \Phi_1 \rangle \hookrightarrow \langle \Gamma_2, n_2 \vdash \Psi_2 \triangleright \Phi_2 \rangle$

**| elims\_part:**  
 $\langle \Gamma_1, n_1 \vdash \Psi_1 \triangleright \Phi_1 \rangle \hookrightarrow_e \langle \Gamma_2, n_2 \vdash \Psi_2 \triangleright \Phi_2 \rangle$   
 $\implies \langle \Gamma_1, n_1 \vdash \Psi_1 \triangleright \Phi_1 \rangle \hookrightarrow \langle \Gamma_2, n_2 \vdash \Psi_2 \triangleright \Phi_2 \rangle$

We introduce notations for the reflexive transitive closure of the operational semantic step, its transitive closure and its reflexive closure.

**abbreviation operational\_semantics\_step\_rtranclp**  
 $:: \langle \tau :: \text{linordered\_field} \rangle \text{ config} \Rightarrow \tau \text{ config} \Rightarrow \text{bool} \rangle \quad (\langle \_ \hookrightarrow^{**} \_ \rangle 70)$

**where**  
 $\langle C_1 \hookrightarrow^{**} C_2 \equiv \text{operational\_semantics\_step}^{**} C_1 C_2 \rangle$

**abbreviation operational\_semantics\_step\_tranclp**  
 $:: \langle \tau :: \text{linordered\_field} \rangle \text{ config} \Rightarrow \tau \text{ config} \Rightarrow \text{bool} \rangle \quad (\langle \_ \hookrightarrow^{++} \_ \rangle 70)$

**where**  
 $\langle C_1 \hookrightarrow^{++} C_2 \equiv \text{operational\_semantics\_step}^{++} C_1 C_2 \rangle$

**abbreviation operational\_semantics\_step\_reflclp**  
 $:: \langle \tau :: \text{linordered\_field} \rangle \text{ config} \Rightarrow \tau \text{ config} \Rightarrow \text{bool} \rangle \quad (\langle \_ \hookrightarrow^{==} \_ \rangle 70)$

**where**  
 $\langle C_1 \hookrightarrow^{==} C_2 \equiv \text{operational\_semantics\_step}^{==} C_1 C_2 \rangle$

**abbreviation operational\_semantics\_step\_relpowp**  
 $:: \langle \tau :: \text{linordered\_field} \rangle \text{ config} \Rightarrow \text{nat} \Rightarrow \tau \text{ config} \Rightarrow \text{bool} \rangle \quad (\langle \_ \hookrightarrow^- \_ \rangle 70)$

**where**  
 $\langle C_1 \hookrightarrow^n C_2 \equiv (\text{operational\_semantics\_step} \hat{\ }^n) C_1 C_2 \rangle$

**definition operational\_semantics\_elim\_inv**  
 $:: \langle \tau :: \text{linordered\_field} \rangle \text{ config} \Rightarrow \tau \text{ config} \Rightarrow \text{bool} \rangle \quad (\langle \_ \hookrightarrow_e^{\leftarrow} \_ \rangle 70)$

**where**  
 $\langle C_1 \hookrightarrow_e^{\leftarrow} C_2 \equiv C_2 \hookrightarrow_e C_1 \rangle$

## 5.2 Basic Lemmas

If a configuration can be reached in  $m$  steps from a configuration that can be reached in  $n$  steps from an original configuration, then it can be reached in  $n + m$  steps from the original

configuration.

**lemma** `operational_semantics_trans_generalized`:  
`assumes`  $\langle C_1 \hookrightarrow^n C_2 \rangle$   
`assumes`  $\langle C_2 \hookrightarrow^m C_3 \rangle$   
`shows`  $\langle C_1 \hookrightarrow^{n+m} C_3 \rangle$   
 $\langle \text{proof} \rangle$

We consider the set of configurations that can be reached in one operational step from a given configuration.

**abbreviation** `Cnext_solve`  
`::`  $\langle (\tau :: \text{linordered\_field}) \text{ config} \Rightarrow \tau \text{ config set} \rangle \langle \langle C_{\text{next}} \_ \rangle \rangle$   
**where**  
 $\langle C_{\text{next}} S \equiv \{ S'. S \hookrightarrow S' \} \rangle$

Advancing to the next instant is possible when there are no more constraints on the current instant.

**lemma** `Cnext_solve_instant`:  
 $\langle \langle C_{\text{next}} (\Gamma, n \vdash [] \triangleright \Phi) \rangle \supseteq \{ \Gamma, \text{Suc } n \vdash \Phi \triangleright [] \} \rangle$   
 $\langle \text{proof} \rangle$

The following lemmas state that the configurations produced by the elimination rules of the operational semantics belong to the configurations that can be reached in one step.

**lemma** `Cnext_solve_sporadicon`:  
 $\langle \langle C_{\text{next}} (\Gamma, n \vdash ((K_1 \text{ sporadic } \tau \text{ on } K_2) \# \Psi) \triangleright \Phi) \rangle \supseteq \{ \Gamma, n \vdash \Psi \triangleright ((K_1 \text{ sporadic } \tau \text{ on } K_2) \# \Phi), \langle (K_1 \uparrow n) \# (K_2 \downarrow n \otimes \tau) \# \Gamma, n \vdash \Psi \triangleright \Phi \rangle \} \rangle$   
 $\langle \text{proof} \rangle$

**lemma** `Cnext_solve_tagrel`:  
 $\langle \langle C_{\text{next}} (\Gamma, n \vdash ((\text{time-relation } [K_1, K_2] \in R) \# \Psi) \triangleright \Phi) \rangle \supseteq \{ \langle (\tau_{\text{var}}(K_1, n), \tau_{\text{var}}(K_2, n)) \in R \rangle \# \Gamma, n \vdash \Psi \triangleright ((\text{time-relation } [K_1, K_2] \in R) \# \Phi) \} \rangle$   
 $\langle \text{proof} \rangle$

**lemma** `Cnext_solve_implies`:  
 $\langle \langle C_{\text{next}} (\Gamma, n \vdash ((K_1 \text{ implies } K_2) \# \Psi) \triangleright \Phi) \rangle \supseteq \{ \langle (K_1 \neg \uparrow n) \# \Gamma, n \vdash \Psi \triangleright ((K_1 \text{ implies } K_2) \# \Phi), \langle (K_1 \uparrow n) \# (K_2 \uparrow n) \# \Gamma, n \vdash \Psi \triangleright ((K_1 \text{ implies } K_2) \# \Phi) \rangle \} \rangle$   
 $\langle \text{proof} \rangle$

**lemma** `Cnext_solve_implies_not`:  
 $\langle \langle C_{\text{next}} (\Gamma, n \vdash ((K_1 \text{ implies not } K_2) \# \Psi) \triangleright \Phi) \rangle \supseteq \{ \langle (K_1 \neg \uparrow n) \# \Gamma, n \vdash \Psi \triangleright ((K_1 \text{ implies not } K_2) \# \Phi), \langle (K_1 \uparrow n) \# (K_2 \neg \uparrow n) \# \Gamma, n \vdash \Psi \triangleright ((K_1 \text{ implies not } K_2) \# \Phi) \rangle \} \rangle$   
 $\langle \text{proof} \rangle$

**lemma** `Cnext_solve_timedelayed`:  
 $\langle \langle C_{\text{next}} (\Gamma, n \vdash ((K_1 \text{ time-delayed by } \delta\tau \text{ on } K_2 \text{ implies } K_3) \# \Psi) \triangleright \Phi) \rangle \supseteq \{ \langle (K_1 \neg \uparrow n) \# \Gamma, n \vdash \Psi \triangleright ((K_1 \text{ time-delayed by } \delta\tau \text{ on } K_2 \text{ implies } K_3) \# \Phi), \langle (K_1 \uparrow n) \# (K_2 \otimes n \oplus \delta\tau \Rightarrow K_3) \# \Gamma, n \vdash \Psi \triangleright ((K_1 \text{ time-delayed by } \delta\tau \text{ on } K_2 \text{ implies } K_3) \# \Phi) \rangle \} \rangle$   
 $\langle \text{proof} \rangle$

**lemma** `Cnext_solve_weakly_precedes`:  
 $\langle \langle C_{\text{next}} (\Gamma, n \vdash ((K_1 \text{ weakly precedes } K_2) \# \Psi) \triangleright \Phi) \rangle \supseteq \{ \langle (\# \leq K_2 n, \# \leq K_1 n) \in (\lambda(x,y). x \leq y) \rangle \# \Gamma, n \vdash \Psi \triangleright \Phi \} \rangle$

$\vdash \Psi \triangleright ((K_1 \text{ weakly precedes } K_2) \# \Phi) \triangleright$   
*<proof>*

**lemma** *Cnext\_solve\_strictly\_precedes:*

$\langle (C_{next} (\Gamma, n \vdash ((K_1 \text{ strictly precedes } K_2) \# \Psi) \triangleright \Phi))$   
 $\supseteq \{ (([\# \leq K_2 \ n, \# < K_1 \ n] \in (\lambda(x,y). x \leq y)) \# \Gamma), n$   
 $\vdash \Psi \triangleright ((K_1 \text{ strictly precedes } K_2) \# \Phi) \triangleright$

*<proof>*

**lemma** *Cnext\_solve\_kills:*

$\langle (C_{next} (\Gamma, n \vdash ((K_1 \text{ kills } K_2) \# \Psi) \triangleright \Phi))$   
 $\supseteq \{ ((K_1 \neg \uparrow n) \# \Gamma), n \vdash \Psi \triangleright ((K_1 \text{ kills } K_2) \# \Phi),$   
 $((K_1 \uparrow n) \# (K_2 \neg \uparrow \geq n) \# \Gamma), n \vdash \Psi \triangleright ((K_1 \text{ kills } K_2) \# \Phi) \triangleright$

*<proof>*

An empty specification can be reduced to an empty specification for an arbitrary number of steps.

**lemma** *empty\_spec\_reductions:*

$\langle ([], 0 \vdash [] \triangleright []) \leftrightarrow^k ([], k \vdash [] \triangleright []) \rangle$

*<proof>*

**end**



## Chapter 6

# Equivalence of the Operational and Denotational Semantics

```
theory Corecursive_Prop
  imports
    SymbolicPrimitive
    Operational
    Denotational
```

```
begin
```

### 6.1 Stepwise denotational interpretation of TESL atoms

In order to prove the equivalence of the denotational and operational semantics, we need to be able to ignore the past (for which the constraints are encoded in the context) and consider only the satisfaction of the constraints from a given instant index. For this purpose, we define an interpretation of TESL formulae for a suffix of a run. That interpretation is closely related to the denotational semantics as defined in the preceding chapters.

```
fun TESL_interpretation_atomic_stepwise
  :: <('τ::linordered_field) TESL_atomic ⇒ nat ⇒ 'τ run set> (⟨[ _ ]TESL≥ i ->⟩)
where
  ⟨[ K1 sporadic τ on K2 ]TESL≥ i =
    {ϱ. ∃n≥i. hamlet ((Rep_run ϱ) n K1) ∧ time ((Rep_run ϱ) n K2) = τ}>
| ⟨[ time-relation [K1, K2] ∈ R ]TESL≥ i =
  {ϱ. ∀n≥i. R (time ((Rep_run ϱ) n K1), time ((Rep_run ϱ) n K2))}>
| ⟨[ master implies slave ]TESL≥ i =
  {ϱ. ∀n≥i. hamlet ((Rep_run ϱ) n master) ⟶ hamlet ((Rep_run ϱ) n slave)}>
| ⟨[ master implies not slave ]TESL≥ i =
  {ϱ. ∀n≥i. hamlet ((Rep_run ϱ) n master) ⟶ ¬ hamlet ((Rep_run ϱ) n slave)}>
| ⟨[ master time-delayed by δτ on measuring implies slave ]TESL≥ i =
  {ϱ. ∀n≥i. hamlet ((Rep_run ϱ) n master) ⟶
    (let measured_time = time ((Rep_run ϱ) n measuring) in
     ∀m ≥ n. first_time ϱ measuring m (measured_time + δτ)
     ⟶ hamlet ((Rep_run ϱ) m slave)
  )
  }>
| ⟨[ K1 weakly precedes K2 ]TESL≥ i =
  {ϱ. ∀n≥i. (run_tick_count ϱ K2 n) ≤ (run_tick_count ϱ K1 n)}>
```

$$\begin{aligned} & | \langle \llbracket K_1 \text{ strictly precedes } K_2 \rrbracket_{TESL}^{\geq i} = \\ & \quad \{ \varrho. \forall n \geq i. (\text{run\_tick\_count } \varrho \ K_2 \ n) \leq (\text{run\_tick\_count\_strictly } \varrho \ K_1 \ n) \} \rangle \\ & | \langle \llbracket K_1 \text{ kills } K_2 \rrbracket_{TESL}^{\geq i} = \\ & \quad \{ \varrho. \forall n \geq i. \text{hamlet } ((\text{Rep\_run } \varrho) \ n \ K_1) \longrightarrow (\forall m \geq n. \neg \text{hamlet } ((\text{Rep\_run } \varrho) \ m \ K_2)) \} \rangle \end{aligned}$$

The denotational interpretation of TESL formulae can be unfolded into the stepwise interpretation.

**lemma** `TESL_interp_unfold_stepwise_sporadicon:`

$$\langle \llbracket K_1 \text{ sporadic } \tau \text{ on } K_2 \rrbracket_{TESL} = \bigcup \{ Y. \exists n :: \text{nat}. Y = \llbracket K_1 \text{ sporadic } \tau \text{ on } K_2 \rrbracket_{TESL}^{\geq n} \} \rangle$$

*<proof>*

**lemma** `TESL_interp_unfold_stepwise_tagrelgen:`

$$\begin{aligned} & \langle \llbracket \text{time-relation } [K_1, K_2] \in R \rrbracket_{TESL} \\ & = \bigcap \{ Y. \exists n :: \text{nat}. Y = \llbracket \text{time-relation } [K_1, K_2] \in R \rrbracket_{TESL}^{\geq n} \} \rangle \end{aligned}$$

*<proof>*

**lemma** `TESL_interp_unfold_stepwise_implies:`

$$\langle \llbracket \text{master implies slave} \rrbracket_{TESL} = \bigcap \{ Y. \exists n :: \text{nat}. Y = \llbracket \text{master implies slave} \rrbracket_{TESL}^{\geq n} \} \rangle$$

*<proof>*

**lemma** `TESL_interp_unfold_stepwise_implies_not:`

$$\langle \llbracket \text{master implies not slave} \rrbracket_{TESL} = \bigcap \{ Y. \exists n :: \text{nat}. Y = \llbracket \text{master implies not slave} \rrbracket_{TESL}^{\geq n} \} \rangle$$

*<proof>*

**lemma** `TESL_interp_unfold_stepwise_timedelayed:`

$$\begin{aligned} & \langle \llbracket \text{master time-delayed by } \delta\tau \text{ on measuring implies slave} \rrbracket_{TESL} \\ & = \bigcap \{ Y. \exists n :: \text{nat}. \\ & \quad Y = \llbracket \text{master time-delayed by } \delta\tau \text{ on measuring implies slave} \rrbracket_{TESL}^{\geq n} \} \rangle \end{aligned}$$

*<proof>*

**lemma** `TESL_interp_unfold_stepwise_weakly_precedes:`

$$\langle \llbracket K_1 \text{ weakly precedes } K_2 \rrbracket_{TESL} = \bigcap \{ Y. \exists n :: \text{nat}. Y = \llbracket K_1 \text{ weakly precedes } K_2 \rrbracket_{TESL}^{\geq n} \} \rangle$$

*<proof>*

**lemma** `TESL_interp_unfold_stepwise_strictly_precedes:`

$$\langle \llbracket K_1 \text{ strictly precedes } K_2 \rrbracket_{TESL} = \bigcap \{ Y. \exists n :: \text{nat}. Y = \llbracket K_1 \text{ strictly precedes } K_2 \rrbracket_{TESL}^{\geq n} \} \rangle$$

*<proof>*

**lemma** `TESL_interp_unfold_stepwise_kills:`

$$\langle \llbracket \text{master kills slave} \rrbracket_{TESL} = \bigcap \{ Y. \exists n :: \text{nat}. Y = \llbracket \text{master kills slave} \rrbracket_{TESL}^{\geq n} \} \rangle$$

*<proof>*

Positive atomic formulae (the ones that create ticks from nothing) are unfolded as the union of the stepwise interpretations.

**theorem** `TESL_interp_unfold_stepwise_positive_atoms:`

$$\begin{aligned} & \text{assumes } \langle \text{positive\_atom } \varphi \rangle \\ & \text{shows } \langle \llbracket \varphi :: ' \tau :: \text{linordered\_field } \text{TESL\_atomic} \rrbracket_{TESL} \\ & \quad = \bigcup \{ Y. \exists n :: \text{nat}. Y = \llbracket \varphi \rrbracket_{TESL}^{\geq n} \} \rangle \end{aligned}$$

*<proof>*

Negative atomic formulae are unfolded as the intersection of the stepwise interpretations.

**theorem** `TESL_interp_unfold_stepwise_negative_atoms:`

**assumes**  $\langle \neg \text{positive\_atom } \varphi \rangle$

**shows**  $\langle \llbracket \varphi \rrbracket_{TESL} = \bigcap \{Y. \exists n :: \text{nat}. Y = \llbracket \varphi \rrbracket_{TESL}^{\geq n}\} \rangle$   
*(proof)*

Some useful lemmas for reasoning on properties of sequences.

**lemma forall\_nat\_expansion:**  
 $\langle (\forall n \geq (n_0 :: \text{nat}). P n) = (P n_0 \wedge (\forall n \geq \text{Suc } n_0. P n)) \rangle$   
*(proof)*

**lemma exists\_nat\_expansion:**  
 $\langle (\exists n \geq (n_0 :: \text{nat}). P n) = (P n_0 \vee (\exists n \geq \text{Suc } n_0. P n)) \rangle$   
*(proof)*

**lemma forall\_nat\_set\_suc:**  $\langle \{x. \forall m \geq n. P x m\} = \{x. P x n\} \cap \{x. \forall m \geq \text{Suc } n. P x m\} \rangle$   
*(proof)*

**lemma exists\_nat\_set\_suc:**  $\langle \{x. \exists m \geq n. P x m\} = \{x. P x n\} \cup \{x. \exists m \geq \text{Suc } n. P x m\} \rangle$   
*(proof)*

## 6.2 Coinduction Unfolding Properties

The following lemmas show how to shorten a suffix, i.e. to unfold one instant in the construction of a run. They correspond to the rules of the operational semantics.

**lemma TESL\_interp\_stepwise\_sporadicon\_coind\_unfold:**  
 $\langle \llbracket K_1 \text{ sporadic } \tau \text{ on } K_2 \rrbracket_{TESL}^{\geq n} =$   
 $\llbracket K_1 \uparrow n \rrbracket_{prim} \cap \llbracket K_2 \downarrow n \oplus \tau \rrbracket_{prim} \quad \text{--- rule sporadic\_on\_e2}$   
 $\cup \llbracket K_1 \text{ sporadic } \tau \text{ on } K_2 \rrbracket_{TESL}^{\geq \text{Suc } n} \rangle \quad \text{--- rule sporadic\_on\_e1}$   
*(proof)*

**lemma TESL\_interp\_stepwise\_tagrel\_coind\_unfold:**  
 $\langle \llbracket \text{time-relation } [K_1, K_2] \in R \rrbracket_{TESL}^{\geq n} = \quad \text{--- rule tagrel\_e}$   
 $\llbracket [\tau_{var}(K_1, n), \tau_{var}(K_2, n)] \in R \rrbracket_{prim}$   
 $\cap \llbracket \text{time-relation } [K_1, K_2] \in R \rrbracket_{TESL}^{\geq \text{Suc } n} \rangle$   
*(proof)*

**lemma TESL\_interp\_stepwise\_implies\_coind\_unfold:**  
 $\langle \llbracket \text{master implies slave} \rrbracket_{TESL}^{\geq n} =$   
 $( \llbracket \text{master } \neg \uparrow n \rrbracket_{prim} \quad \text{--- rule implies\_e1}$   
 $\cup \llbracket \text{master } \uparrow n \rrbracket_{prim} \cap \llbracket \text{slave } \uparrow n \rrbracket_{prim} ) \quad \text{--- rule implies\_e2}$   
 $\cap \llbracket \text{master implies slave} \rrbracket_{TESL}^{\geq \text{Suc } n} \rangle$   
*(proof)*

**lemma TESL\_interp\_stepwise\_implies\_not\_coind\_unfold:**  
 $\langle \llbracket \text{master implies not slave} \rrbracket_{TESL}^{\geq n} =$   
 $( \llbracket \text{master } \neg \uparrow n \rrbracket_{prim} \quad \text{--- rule implies\_not\_e1}$   
 $\cup \llbracket \text{master } \uparrow n \rrbracket_{prim} \cap \llbracket \text{slave } \neg \uparrow n \rrbracket_{prim} ) \quad \text{--- rule implies\_not\_e2}$   
 $\cap \llbracket \text{master implies not slave} \rrbracket_{TESL}^{\geq \text{Suc } n} \rangle$   
*(proof)*

**lemma TESL\_interp\_stepwise\_timedelayed\_coind\_unfold:**  
 $\langle \llbracket \text{master time-delayed by } \delta\tau \text{ on measuring implies slave} \rrbracket_{TESL}^{\geq n} =$   
 $( \llbracket \text{master } \neg \uparrow n \rrbracket_{prim} \quad \text{--- rule timedelayed\_e1}$   
 $\cup ( \llbracket \text{master } \uparrow n \rrbracket_{prim} \cap \llbracket \text{measuring } \ominus n \oplus \delta\tau \Rightarrow \text{slave} \rrbracket_{prim} ) ) \quad \text{--- rule timedelayed\_e2}$

$\cap \llbracket \text{master time-delayed by } \delta\tau \text{ on measuring implies slave} \rrbracket_{TESL}^{\geq \text{Suc } n}$   
 <proof>

**lemma** `TESL_interp_stepwise_weakly_precedes_coind_unfold`:  
 $\langle \llbracket K_1 \text{ weakly precedes } K_2 \rrbracket_{TESL}^{\geq n} = \text{--- rule weakly\_precedes\_e}$   
 $\llbracket (\# \leq K_2 \ n, \# \leq K_1 \ n) \in (\lambda(x,y). x \leq y) \rrbracket_{prim}$   
 $\cap \llbracket K_1 \text{ weakly precedes } K_2 \rrbracket_{TESL}^{\geq \text{Suc } n} \rangle$   
 <proof>

**lemma** `TESL_interp_stepwise_strictly_precedes_coind_unfold`:  
 $\langle \llbracket K_1 \text{ strictly precedes } K_2 \rrbracket_{TESL}^{\geq n} = \text{--- rule strictly\_precedes\_e}$   
 $\llbracket (\# \leq K_2 \ n, \# < K_1 \ n) \in (\lambda(x,y). x \leq y) \rrbracket_{prim}$   
 $\cap \llbracket K_1 \text{ strictly precedes } K_2 \rrbracket_{TESL}^{\geq \text{Suc } n} \rangle$   
 <proof>

**lemma** `TESL_interp_stepwise_kills_coind_unfold`:  
 $\langle \llbracket K_1 \text{ kills } K_2 \rrbracket_{TESL}^{\geq n} =$   
 $( \llbracket K_1 \neg \uparrow n \rrbracket_{prim} \text{--- rule kills\_e1}$   
 $\cup \llbracket K_1 \uparrow n \rrbracket_{prim} \cap \llbracket K_2 \neg \uparrow \geq n \rrbracket_{prim} ) \text{--- rule kills\_e2}$   
 $\cap \llbracket K_1 \text{ kills } K_2 \rrbracket_{TESL}^{\geq \text{Suc } n} \rangle$   
 <proof>

The stepwise interpretation of a TESL formula is the intersection of the interpretation of its atomic components.

**fun** `TESL_interpretation_stepwise`  
 $:: \langle ' \tau :: \text{linordered\_field TESL\_formula} \Rightarrow \text{nat} \Rightarrow ' \tau \text{ run set} \rangle$   
 $\langle \llbracket \_ \rrbracket_{TESL}^{\geq -} \rangle$   
**where**  
 $\langle \llbracket \square \rrbracket_{TESL}^{\geq n} = \{ \varrho. \text{True} \} \rangle$   
 $| \langle \llbracket \varphi \ \# \ \Phi \rrbracket_{TESL}^{\geq n} = \llbracket \varphi \rrbracket_{TESL}^{\geq n} \cap \llbracket \Phi \rrbracket_{TESL}^{\geq n} \rangle$   
**lemma** `TESL_interpretation_stepwise_fixpoint`:  
 $\langle \llbracket \Phi \rrbracket_{TESL}^{\geq n} = \bigcap ((\lambda \varphi. \llbracket \varphi \rrbracket_{TESL}^{\geq n}) \text{ ' set } \Phi) \rangle$   
 <proof>

The global interpretation of a TESL formula is its interpretation starting at the first instant.

**lemma** `TESL_interpretation_stepwise_zero`:  
 $\langle \llbracket \varphi \rrbracket_{TESL} = \llbracket \varphi \rrbracket_{TESL}^{\geq 0} \rangle$   
 <proof>

**lemma** `TESL_interpretation_stepwise_zero'`:  
 $\langle \llbracket \Phi \rrbracket_{TESL} = \llbracket \Phi \rrbracket_{TESL}^{\geq 0} \rangle$   
 <proof>

**lemma** `TESL_interpretation_stepwise_cons_morph`:  
 $\langle \llbracket \varphi \rrbracket_{TESL}^{\geq n} \cap \llbracket \Phi \rrbracket_{TESL}^{\geq n} = \llbracket \varphi \ \# \ \Phi \rrbracket_{TESL}^{\geq n} \rangle$   
 <proof>

**theorem** `TESL_interp_stepwise_composition`:  
**shows**  $\langle \llbracket \Phi_1 \ \circledast \ \Phi_2 \rrbracket_{TESL}^{\geq n} = \llbracket \Phi_1 \rrbracket_{TESL}^{\geq n} \cap \llbracket \Phi_2 \rrbracket_{TESL}^{\geq n} \rangle$   
 <proof>



## 6.3 Interpretation of configurations

The interpretation of a configuration of the operational semantics abstract machine is the intersection of:

- the interpretation of its context (the past),
- the interpretation of its present from the current instant,
- the interpretation of its future from the next instant.

**fun** HeronConf\_interpretation

$:: \langle \tau :: \text{linordered\_field } \text{config} \Rightarrow \tau \text{ run set} \rangle \quad (\langle [ \_ ]_{\text{config}} \rangle \text{ 71})$

**where**

$\langle [ \Gamma, n \vdash \Psi \triangleright \Phi ]_{\text{config}} = [ [ \Gamma ] ]_{\text{prim}} \cap [ [ \Psi ] ]_{\text{TESL}}^{\geq n} \cap [ [ \Phi ] ]_{\text{TESL}}^{\geq \text{Suc } n} \rangle$

**lemma** HeronConf\_interp\_composition:

$\langle [ \Gamma_1, n \vdash \Psi_1 \triangleright \Phi_1 ]_{\text{config}} \cap [ \Gamma_2, n \vdash \Psi_2 \triangleright \Phi_2 ]_{\text{config}} \\ = [ (\Gamma_1 \text{ @ } \Gamma_2), n \vdash (\Psi_1 \text{ @ } \Psi_2) \triangleright (\Phi_1 \text{ @ } \Phi_2) ]_{\text{config}} \rangle$   
*<proof>*

When there are no remaining constraints on the present, the interpretation of a configuration is the same as the configuration at the next instant of its future. This corresponds to the introduction rule of the operational semantics.

**lemma** HeronConf\_interp\_stepwise\_instant\_cases:

$\langle [ \Gamma, n \vdash \square \triangleright \Phi ]_{\text{config}} = [ \Gamma, \text{Suc } n \vdash \Phi \triangleright \square ]_{\text{config}} \rangle$   
*<proof>*

The following lemmas use the unfolding properties of the stepwise denotational semantics to give rewriting rules for the interpretation of configurations that match the elimination rules of the operational semantics.

**lemma** HeronConf\_interp\_stepwise\_sporadicon\_cases:

$\langle [ \Gamma, n \vdash ((K_1 \text{ sporadic } \tau \text{ on } K_2) \# \Psi) \triangleright \Phi ]_{\text{config}} \\ = [ \Gamma, n \vdash \Psi \triangleright ((K_1 \text{ sporadic } \tau \text{ on } K_2) \# \Phi) ]_{\text{config}} \\ \cup [ ((K_1 \uparrow n) \# (K_2 \downarrow n \text{ @ } \tau) \# \Gamma), n \vdash \Psi \triangleright \Phi ]_{\text{config}} \rangle$   
*<proof>*

**lemma** HeronConf\_interp\_stepwise\_tagrel\_cases:

$\langle [ \Gamma, n \vdash ((\text{time-relation } [K_1, K_2] \in R) \# \Psi) \triangleright \Phi ]_{\text{config}} \\ = [ ((\lfloor \tau_{\text{var}}(K_1, n), \tau_{\text{var}}(K_2, n) \rfloor \in R) \# \Gamma), n \\ \vdash \Psi \triangleright ((\text{time-relation } [K_1, K_2] \in R) \# \Phi) ]_{\text{config}} \rangle$   
*<proof>*

**lemma** HeronConf\_interp\_stepwise\_implies\_cases:

$\langle [ \Gamma, n \vdash ((K_1 \text{ implies } K_2) \# \Psi) \triangleright \Phi ]_{\text{config}} \\ = [ ((K_1 \neg \uparrow n) \# \Gamma), n \vdash \Psi \triangleright ((K_1 \text{ implies } K_2) \# \Phi) ]_{\text{config}} \\ \cup [ ((K_1 \uparrow n) \# (K_2 \uparrow n) \# \Gamma), n \vdash \Psi \triangleright ((K_1 \text{ implies } K_2) \# \Phi) ]_{\text{config}} \rangle$   
*<proof>*

**lemma** HeronConf\_interp\_stepwise\_implies\_not\_cases:

$\langle [ \Gamma, n \vdash ((K_1 \text{ implies not } K_2) \# \Psi) \triangleright \Phi ]_{\text{config}} \\ = [ ((K_1 \neg \uparrow n) \# \Gamma), n \vdash \Psi \triangleright ((K_1 \text{ implies not } K_2) \# \Phi) ]_{\text{config}} \\ \cup [ ((K_1 \uparrow n) \# (K_2 \neg \uparrow n) \# \Gamma), n \vdash \Psi \triangleright ((K_1 \text{ implies not } K_2) \# \Phi) ]_{\text{config}} \rangle$   
*<proof>*

**lemma** HeronConf\_interp\_stepwise\_timedelayed\_cases:

$$\begin{aligned}
& \langle \llbracket \Gamma, n \vdash ((K_1 \text{ time-delayed by } \delta\tau \text{ on } K_2 \text{ implies } K_3) \# \Psi) \triangleright \Phi \rrbracket_{config} \\
&= \llbracket ((K_1 \neg\uparrow n) \# \Gamma), n \vdash \Psi \triangleright ((K_1 \text{ time-delayed by } \delta\tau \text{ on } K_2 \text{ implies } K_3) \# \Phi) \rrbracket_{config} \\
&\cup \llbracket ((K_1 \uparrow n) \# (K_2 \otimes n \oplus \delta\tau \Rightarrow K_3) \# \Gamma), n \\
&\quad \vdash \Psi \triangleright ((K_1 \text{ time-delayed by } \delta\tau \text{ on } K_2 \text{ implies } K_3) \# \Phi) \rrbracket_{config} \rangle \\
&\langle proof \rangle
\end{aligned}$$

**lemma** HeronConf\_interp\_stepwise\_weakly\_precedes\_cases:

$$\begin{aligned}
& \langle \llbracket \Gamma, n \vdash ((K_1 \text{ weakly precedes } K_2) \# \Psi) \triangleright \Phi \rrbracket_{config} \\
&= \llbracket (([\# \leq K_2 n, \# \leq K_1 n] \in (\lambda(x,y). x \leq y)) \# \Gamma), n \\
&\quad \vdash \Psi \triangleright ((K_1 \text{ weakly precedes } K_2) \# \Phi) \rrbracket_{config} \rangle \\
&\langle proof \rangle
\end{aligned}$$

**lemma** HeronConf\_interp\_stepwise\_strictly\_precedes\_cases:

$$\begin{aligned}
& \langle \llbracket \Gamma, n \vdash ((K_1 \text{ strictly precedes } K_2) \# \Psi) \triangleright \Phi \rrbracket_{config} \\
&= \llbracket (([\# < K_2 n, \# < K_1 n] \in (\lambda(x,y). x < y)) \# \Gamma), n \\
&\quad \vdash \Psi \triangleright ((K_1 \text{ strictly precedes } K_2) \# \Phi) \rrbracket_{config} \rangle \\
&\langle proof \rangle
\end{aligned}$$

**lemma** HeronConf\_interp\_stepwise\_kills\_cases:

$$\begin{aligned}
& \langle \llbracket \Gamma, n \vdash ((K_1 \text{ kills } K_2) \# \Psi) \triangleright \Phi \rrbracket_{config} \\
&= \llbracket ((K_1 \neg\uparrow n) \# \Gamma), n \vdash \Psi \triangleright ((K_1 \text{ kills } K_2) \# \Phi) \rrbracket_{config} \\
&\cup \llbracket ((K_1 \uparrow n) \# (K_2 \neg\uparrow \geq n) \# \Gamma), n \vdash \Psi \triangleright ((K_1 \text{ kills } K_2) \# \Phi) \rrbracket_{config} \rangle \\
&\langle proof \rangle
\end{aligned}$$

**end**

# Chapter 7

## Main Theorems

```
theory Hygge_Theory
imports
  Corecursive_Prop
```

```
begin
```

Using the properties we have shown about the interpretation of configurations and the stepwise unfolding of the denotational semantics, we can now prove several important results about the construction of runs from a specification.

### 7.1 Initial configuration

The denotational semantics of a specification  $\Psi$  is the interpretation at the first instant of a configuration which has  $\Psi$  as its present. This means that we can start to build a run that satisfies a specification by starting from this configuration.

```
theorem solve_start:
  shows <[[ $\Psi$ ]]TESL = [[ $\square$ , 0  $\vdash$   $\Psi$   $\triangleright$   $\square$ ]]config>
  <proof>
```

### 7.2 Soundness

The interpretation of a configuration  $\mathcal{S}_2$  that is a refinement of a configuration  $\mathcal{S}_1$  is contained in the interpretation of  $\mathcal{S}_1$ . This means that by making successive choices in building the instants of a run, we preserve the soundness of the constructed run with regard to the original specification.

```
lemma sound_reduction:
  assumes <( $\Gamma_1$ ,  $n_1 \vdash \Psi_1 \triangleright \Phi_1$ )  $\leftrightarrow$  ( $\Gamma_2$ ,  $n_2 \vdash \Psi_2 \triangleright \Phi_2$ )>
  shows <[[ $\Gamma_1$ ]]prim  $\cap$  [[ $\Psi_1$ ]]TESL $\geq n_1$   $\cap$  [[ $\Phi_1$ ]]TESL $\geq \text{Suc } n_1$ 
     $\supseteq$  [[ $\Gamma_2$ ]]prim  $\cap$  [[ $\Psi_2$ ]]TESL $\geq n_2$   $\cap$  [[ $\Phi_2$ ]]TESL $\geq \text{Suc } n_2$ > (is ?P)
  <proof>
```

```
inductive_cases step_elim: < $\mathcal{S}_1 \leftrightarrow \mathcal{S}_2$ >
```

```
lemma sound_reduction':
  assumes < $\mathcal{S}_1 \leftrightarrow \mathcal{S}_2$ >
  shows <[[ $\mathcal{S}_1$ ]]config  $\supseteq$  [[ $\mathcal{S}_2$ ]]config>
  <proof>
```

**lemma** `sound_reduction_generalized`:  
**assumes**  $\langle \mathcal{S}_1 \hookrightarrow^k \mathcal{S}_2 \rangle$   
**shows**  $\langle \llbracket \mathcal{S}_1 \rrbracket_{config} \supseteq \llbracket \mathcal{S}_2 \rrbracket_{config} \rangle$   
*<proof>*

From the initial configuration, a configuration  $\mathcal{S}$  obtained after any number  $k$  of reduction steps denotes runs from the initial specification  $\Psi$ .

**theorem** `soundness`:  
**assumes**  $\langle (\square, 0 \vdash \Psi \triangleright \square) \hookrightarrow^k \mathcal{S} \rangle$   
**shows**  $\langle \llbracket \Psi \rrbracket_{TESL} \supseteq \llbracket \mathcal{S} \rrbracket_{config} \rangle$   
*<proof>*

### 7.3 Completeness

We will now show that any run that satisfies a specification can be derived from the initial configuration, at any number of steps.

We start by proving that any run that is denoted by a configuration  $\mathcal{S}$  is necessarily denoted by at least one of the configurations that can be reached from  $\mathcal{S}$ .

**lemma** `complete_direct_successors`:  
**shows**  $\langle \llbracket \Gamma, n \vdash \Psi \triangleright \Phi \rrbracket_{config} \subseteq (\bigcup_{X \in \mathcal{C}_{next}} (\Gamma, n \vdash \Psi \triangleright \Phi). \llbracket X \rrbracket_{config}) \rangle$   
*<proof>*

**lemma** `complete_direct_successors'`:  
**shows**  $\langle \llbracket \mathcal{S} \rrbracket_{config} \subseteq (\bigcup_{X \in \mathcal{C}_{next}} \mathcal{S}. \llbracket X \rrbracket_{config}) \rangle$   
*<proof>*

Therefore, if a run belongs to a configuration, it necessarily belongs to a configuration derived from it.

**lemma** `branch_existence`:  
**assumes**  $\langle \varrho \in \llbracket \mathcal{S}_1 \rrbracket_{config} \rangle$   
**shows**  $\langle \exists \mathcal{S}_2. (\mathcal{S}_1 \hookrightarrow \mathcal{S}_2) \wedge (\varrho \in \llbracket \mathcal{S}_2 \rrbracket_{config}) \rangle$   
*<proof>*

**lemma** `branch_existence'`:  
**assumes**  $\langle \varrho \in \llbracket \mathcal{S}_1 \rrbracket_{config} \rangle$   
**shows**  $\langle \exists \mathcal{S}_2. (\mathcal{S}_1 \hookrightarrow^k \mathcal{S}_2) \wedge (\varrho \in \llbracket \mathcal{S}_2 \rrbracket_{config}) \rangle$   
*<proof>*

Any run that belongs to the original specification  $\Psi$  has a corresponding configuration  $\mathcal{S}$  at any number  $k$  of reduction steps from the initial configuration. Therefore, any run that satisfies a specification can be derived from the initial configuration at any level of reduction.

**theorem** `completeness`:  
**assumes**  $\langle \varrho \in \llbracket \Psi \rrbracket_{TESL} \rangle$   
**shows**  $\langle \exists \mathcal{S}. ((\square, 0 \vdash \Psi \triangleright \square) \hookrightarrow^k \mathcal{S})$   
 $\quad \wedge \varrho \in \llbracket \mathcal{S} \rrbracket_{config} \rangle$   
*<proof>*

### 7.4 Progress

Reduction steps do not guarantee that the construction of a run progresses in the sequence of instants. We need to show that it is always possible to reach the next instant, and therefore any future instant, through a number of steps.

**lemma instant\_index\_increase:**

**assumes**  $\langle \varrho \in [\Gamma, n \vdash \Psi \triangleright \Phi]_{\text{config}} \rangle$   
**shows**  $\langle \exists \Gamma_k \Psi_k \Phi_k k. ((\Gamma, n \vdash \Psi \triangleright \Phi) \hookrightarrow^k (\Gamma_k, \text{Suc } n \vdash \Psi_k \triangleright \Phi_k))$   
 $\wedge \varrho \in [\Gamma_k, \text{Suc } n \vdash \Psi_k \triangleright \Phi_k]_{\text{config}} \rangle$

*<proof>*

**lemma instant\_index\_increase\_generalized:**

**assumes**  $\langle n < n_k \rangle$   
**assumes**  $\langle \varrho \in [\Gamma, n \vdash \Psi \triangleright \Phi]_{\text{config}} \rangle$   
**shows**  $\langle \exists \Gamma_k \Psi_k \Phi_k k. ((\Gamma, n \vdash \Psi \triangleright \Phi) \hookrightarrow^k (\Gamma_k, n_k \vdash \Psi_k \triangleright \Phi_k))$   
 $\wedge \varrho \in [\Gamma_k, n_k \vdash \Psi_k \triangleright \Phi_k]_{\text{config}} \rangle$

*<proof>*

Any run that belongs to a specification  $\Psi$  has a corresponding configuration that develops it up to the  $n^{\text{th}}$  instant.

**theorem progress:**

**assumes**  $\langle \varrho \in [[\Psi]]_{\text{TESL}} \rangle$   
**shows**  $\langle \exists k \Gamma_k \Psi_k \Phi_k. ((\square, 0 \vdash \Psi \triangleright \square) \hookrightarrow^k (\Gamma_k, n \vdash \Psi_k \triangleright \Phi_k))$   
 $\wedge \varrho \in [\Gamma_k, n \vdash \Psi_k \triangleright \Phi_k]_{\text{config}} \rangle$

*<proof>*

## 7.5 Local termination

Here, we prove that the computation of an instant in a run always terminates. Since this computation terminates when the list of constraints for the present instant becomes empty, we introduce a measure for this formula.

**primrec** `measure_interpretation` ::  $\langle 'a::\text{linordered\_field } \text{TESL\_formula} \Rightarrow \text{nat} \rangle \langle \mu \rangle$

**where**

$\langle \mu [] = (0::\text{nat}) \rangle$   
 $| \langle \mu (\varphi \# \Phi) = (\text{case } \varphi \text{ of}$   
 $\quad \_ \text{ sporadic } \_ \text{ on } \_ \Rightarrow 1 + \mu \Phi$   
 $\quad | \_ \Rightarrow 2 + \mu \Phi) \rangle$

**fun** `measure_interpretation_config` ::  $\langle 'a::\text{linordered\_field } \text{config} \Rightarrow \text{nat} \rangle \langle \mu_{\text{config}} \rangle$

**where**

$\langle \mu_{\text{config}} (\Gamma, n \vdash \Psi \triangleright \Phi) = \mu \Psi \rangle$

We then show that the elimination rules make this measure decrease.

**lemma** `elimination_rules_strictly_decreasing`:

**assumes**  $\langle (\Gamma_1, n_1 \vdash \Psi_1 \triangleright \Phi_1) \hookrightarrow_e (\Gamma_2, n_2 \vdash \Psi_2 \triangleright \Phi_2) \rangle$   
**shows**  $\langle \mu \Psi_1 > \mu \Psi_2 \rangle$

*<proof>*

**lemma** `elimination_rules_strictly_decreasing_meas`:

**assumes**  $\langle (\Gamma_1, n_1 \vdash \Psi_1 \triangleright \Phi_1) \hookrightarrow_e (\Gamma_2, n_2 \vdash \Psi_2 \triangleright \Phi_2) \rangle$   
**shows**  $\langle (\Psi_2, \Psi_1) \in \text{measure } \mu \rangle$

*<proof>*

**lemma** `elimination_rules_strictly_decreasing_meas'`:

**assumes**  $\langle S_1 \hookrightarrow_e S_2 \rangle$   
**shows**  $\langle (S_2, S_1) \in \text{measure } \mu_{\text{config}} \rangle$

*<proof>*

Therefore, the relation made up of elimination rules is well-founded and the computation of an instant terminates.

```
theorem instant_computation_termination:  
  <wfP ( $\lambda(S_1::'a::\text{linordered\_field config } S_2. (S_1 \leftrightarrow_e^{\leftarrow} S_2))$ )>  
<proof>
```

```
end
```

# Chapter 8

## Properties of TESL

### 8.1 Stuttering Invariance

`theory StutteringDefs`

`imports Denotational`

`begin`

When composing systems into more complex systems, it may happen that one system has to perform some action while the rest of the complex system does nothing. In order to support the composition of TESL specifications, we want to be able to insert stuttering instants in a run without breaking the conformance of a run to its specification. This is what we call the *stuttering invariance* of TESL.

#### 8.1.1 Definition of stuttering

We consider stuttering as the insertion of empty instants (instants at which no clock ticks) in a run. We characterize this insertion with a dilating function, which maps the instant indices of the original run to the corresponding instant indices of the dilated run. The properties of a dilating function are:

- it is strictly increasing because instants are inserted into the run,
- the image of an instant index is greater than it because stuttering instants can only delay the original instants of the run,
- no instant is inserted before the first one in order to have a well defined initial date on each clock,
- if  $n$  is not in the image of the function, no clock ticks at instant  $n$  and the date on the clocks do not change.

`definition dilating_fun`

`where`

```
<dilating_fun (f::nat => nat) (r::'a::linordered_field run)
  ≡ strict_mono f ∧ (f 0 = 0) ∧ (∀n. f n ≥ n
  ∧ ((#n0. f n0 = n) → (∀c. ¬(hamlet ((Rep_run r) n c))))
```

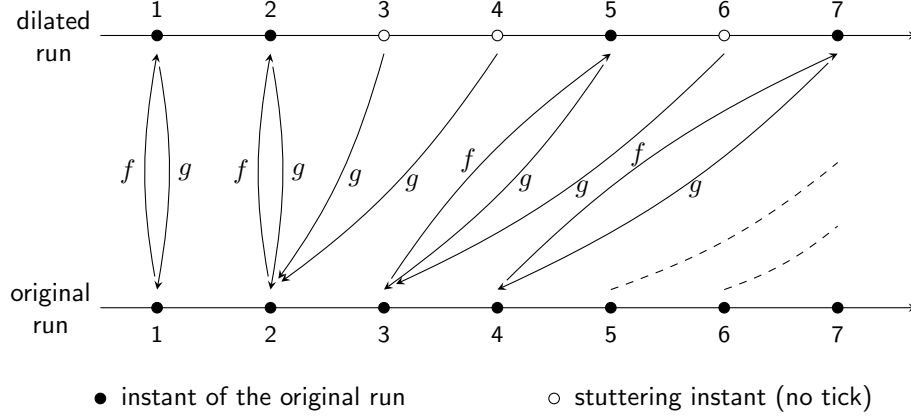


Figure 8.1: Dilating and contracting functions

```


$$\wedge ((\#n_0. f\ n_0 = (\text{Suc } n)) \longrightarrow (\forall c. \text{time } ((\text{Rep\_run } r) (\text{Suc } n) c) = \text{time } ((\text{Rep\_run } r) n c)))$$


```

A run  $r$  is a dilation of a run  $\text{sub}$  by function  $f$  if:

- $f$  is a dilating function for  $r$
- the time in  $r$  is the time in  $\text{sub}$  dilated by  $f$
- the hamlet in  $r$  is the hamlet in  $\text{sub}$  dilated by  $f$

**definition** dilating

**where**

```

<dilating f sub r  $\equiv$  dilating_fun f r
 $\wedge (\forall n\ c. \text{time } ((\text{Rep\_run } \text{sub}) n\ c) = \text{time } ((\text{Rep\_run } r) (f\ n)\ c))$ 
 $\wedge (\forall n\ c. \text{hamlet } ((\text{Rep\_run } \text{sub}) n\ c) = \text{hamlet } ((\text{Rep\_run } r) (f\ n)\ c))$ >

```

A run is a *subrun* of another run if there exists a dilation between them.

**definition** is\_subrun :: '<a::linordered\_field run  $\Rightarrow$  'a run  $\Rightarrow$  bool> (infixl <<<> 60)

**where**

```

<sub  $\ll$  r  $\equiv$  ( $\exists f. \text{dilating } f\ \text{sub } r$ )>

```

A contracting function is the reverse of a dilating fun, it maps an instant index of a dilated run to the index of the last instant of a non stuttering run that precedes it. Since several successive stuttering instants are mapped to the same instant of the non stuttering run, such a function is monotonous, but not strictly. The image of the first instant of the dilated run is necessarily the first instant of the non stuttering run, and the image of an instant index is less than this index because we remove stuttering instants.

**definition** contracting\_fun

```

where <contracting_fun g  $\equiv$  mono g  $\wedge$  g 0 = 0  $\wedge$  ( $\forall n. g\ n \leq n$ )>

```

Figure 8.1 illustrates the relations between the instants of a run and the instants of a dilated run, with the mappings by the dilating function  $f$  and the contracting function  $g$ :

```

consts dummyf    :: <nat  $\Rightarrow$  nat>

```



```

consts dummyg    :: <nat ⇒ nat>
consts dummytwo  :: <nat>
notation dummyf  (<f>)
notation dummyg  (<g>)
notation dummytwo (<2>)

```

A function  $g$  is contracting with respect to the dilation of run  $\text{sub}$  into run  $r$  by the dilating function  $f$  if:

- it is a contracting function ;
- $(f \circ g) n$  is the index of the last original instant before instant  $n$  in run  $r$ , therefore:
  - $(f \circ g) n \leq n$
  - the time does not change on any clock between instants  $(f \circ g) n$  and  $n$  of run  $r$ ;
  - no clock ticks before  $n$  strictly after  $(f \circ g) n$  in run  $r$ . See [Figure 8.1](#) for a better understanding. Notice that in this example, 2 is equal to  $(f \circ g) 2$ ,  $(f \circ g) 3$ , and  $(f \circ g) 4$ .

**definition** contracting

**where**

```

<contracting g r sub f ≡ contracting_fun g
  ∧ (∀n. f (g n) ≤ n)
  ∧ (∀n c k. f (g n) ≤ k ∧ k ≤ n
    → time ((Rep_run r) k c) = time ((Rep_run sub) (g n) c))
  ∧ (∀n c k. f (g n) < k ∧ k ≤ n
    → ¬ hamlet ((Rep_run r) k c))>

```

For any dilating function, we can build its *inverse*, as illustrated on [Figure 8.1](#), which is a contracting function:

**definition** <dil\_inverse f::(nat ⇒ nat) ≡ (λn. Max {i. f i ≤ n})>

### 8.1.2 Alternate definitions for counting ticks.

For proving the stuttering invariance of TESL specifications, we will need these alternate definitions for counting ticks, which are based on sets.

$\text{tick\_count } r \ c \ n$  is the number of ticks of clock  $c$  in run  $r$  upto instant  $n$ .

**definition** tick\_count :: <'a::linordered\_field run ⇒ clock ⇒ nat ⇒ nat>

**where**

```

<tick_count r c n = card {i. i ≤ n ∧ hamlet ((Rep_run r) i c)}>

```

$\text{tick\_count\_strict } r \ c \ n$  is the number of ticks of clock  $c$  in run  $r$  upto but excluding instant  $n$ .

**definition** tick\_count\_strict :: <'a::linordered\_field run ⇒ clock ⇒ nat ⇒ nat>

**where**

```

<tick_count_strict r c n = card {i. i < n ∧ hamlet ((Rep_run r) i c)}>

```

**end**

### 8.1.3 Stuttering Lemmas

```
theory StutteringLemmas
```

```
imports StutteringDefs
```

```
begin
```

In this section, we prove several lemmas that will be used to show that TESL specifications are invariant by stuttering.

The following one will be useful in proving properties over a sequence of stuttering instants.

```
lemma bounded_suc_ind:
  assumes < $\bigwedge k. k < m \implies P (\text{Suc } (z + k)) = P (z + k)$ >
  shows < $k < m \implies P (\text{Suc } (z + k)) = P z$ >
  <proof>
```

### 8.1.4 Lemmas used to prove the invariance by stuttering

Since a dilating function is strictly monotonous, it is injective.

```
lemma dilating_fun_injects:
  assumes <dilating_fun f r>
  shows <inj_on f A>
  <proof>
```

```
lemma dilating_injects:
  assumes <dilating f sub r>
  shows <inj_on f A>
  <proof>
```

If a clock ticks at an instant in a dilated run, that instant is the image by the dilating function of an instant of the original run.

```
lemma ticks_image:
  assumes <dilating_fun f r>
  and <hamlet ((Rep_run r) n c)>
  shows < $\exists n_0. f n_0 = n$ >
  <proof>
```

```
lemma ticks_image_sub:
  assumes <dilating f sub r>
  and <hamlet ((Rep_run r) n c)>
  shows < $\exists n_0. f n_0 = n$ >
  <proof>
```

```
lemma ticks_image_sub':
  assumes <dilating f sub r>
  and < $\exists c. \text{hamlet } ((\text{Rep\_run } r) n c)$ >
  shows < $\exists n_0. f n_0 = n$ >
  <proof>
```

The image of the ticks in an interval by a dilating function is the interval bounded by the image of the bounds of the original interval. This is proven for all 4 kinds of intervals:  $]m, n[$ ,  $[m, n[$ ,  $]m, n]$  and  $[m, n]$ .

```
lemma dilating_fun_image_strict:
  assumes <dilating_fun f r>
  shows < $\{k. f m < k \wedge k < f n \wedge \text{hamlet } ((\text{Rep\_run } r) k c)\}$ >
```

```

      = image f {k. m < k ∧ k < n ∧ hamlet ((Rep_run r) (f k) c)}>
    (is <?IMG = image f ?SET>)
  <proof>

```

```

lemma dilating_fun_image_left:
  assumes <dilating_fun f r>
  shows   <{k. f m ≤ k ∧ k < f n ∧ hamlet ((Rep_run r) k c)}
          = image f {k. m ≤ k ∧ k < n ∧ hamlet ((Rep_run r) (f k) c)}>
  (is <?IMG = image f ?SET>)
  <proof>

```

```

lemma dilating_fun_image_right:
  assumes <dilating_fun f r>
  shows   <{k. f m < k ∧ k ≤ f n ∧ hamlet ((Rep_run r) k c)}
          = image f {k. m < k ∧ k ≤ n ∧ hamlet ((Rep_run r) (f k) c)}>
  (is <?IMG = image f ?SET>)
  <proof>

```

```

lemma dilating_fun_image:
  assumes <dilating_fun f r>
  shows   <{k. f m ≤ k ∧ k ≤ f n ∧ hamlet ((Rep_run r) k c)}
          = image f {k. m ≤ k ∧ k ≤ n ∧ hamlet ((Rep_run r) (f k) c)}>
  (is <?IMG = image f ?SET>)
  <proof>

```

On any clock, the number of ticks in an interval is preserved by a dilating function.

```

lemma ticks_as_often_strict:
  assumes <dilating_fun f r>
  shows   <card {p. n < p ∧ p < m ∧ hamlet ((Rep_run r) (f p) c)}
          = card {p. f n < p ∧ p < f m ∧ hamlet ((Rep_run r) p c)}>
  (is <card ?SET = card ?IMG>)
  <proof>

```

```

lemma ticks_as_often_left:
  assumes <dilating_fun f r>
  shows   <card {p. n ≤ p ∧ p < m ∧ hamlet ((Rep_run r) (f p) c)}
          = card {p. f n ≤ p ∧ p < f m ∧ hamlet ((Rep_run r) p c)}>
  (is <card ?SET = card ?IMG>)
  <proof>

```

```

lemma ticks_as_often_right:
  assumes <dilating_fun f r>
  shows   <card {p. n < p ∧ p ≤ m ∧ hamlet ((Rep_run r) (f p) c)}
          = card {p. f n < p ∧ p ≤ f m ∧ hamlet ((Rep_run r) p c)}>
  (is <card ?SET = card ?IMG>)
  <proof>

```

```

lemma ticks_as_often:
  assumes <dilating_fun f r>
  shows   <card {p. n ≤ p ∧ p ≤ m ∧ hamlet ((Rep_run r) (f p) c)}
          = card {p. f n ≤ p ∧ p ≤ f m ∧ hamlet ((Rep_run r) p c)}>
  (is <card ?SET = card ?IMG>)
  <proof>

```

The date of an event is preserved by dilation.

```

lemma ticks_tag_image:
  assumes <dilating f sub r>
  and     <∃c. hamlet ((Rep_run r) k c)>

```

```

and      <time ((Rep_run r) k c) =  $\tau$ >
shows    < $\exists k_0. f k_0 = k \wedge \text{time } ((\text{Rep\_run sub}) k_0 c) = \tau$ >
<proof>

```

TESL operators are invariant by dilation.

```

lemma ticks_sub:
  assumes <dilating f sub r>
  shows    <hamlet ((Rep_run sub) n a) = hamlet ((Rep_run r) (f n) a)>
<proof>

```

```

lemma no_tick_sub:
  assumes <dilating f sub r>
  shows    < $(\nexists n_0. f n_0 = n) \longrightarrow \neg \text{hamlet } ((\text{Rep\_run r}) n a)$ >
<proof>

```

Lifting a total function to a partial function on an option domain.

```

definition opt_lift::<'a  $\Rightarrow$  'a>  $\Rightarrow$  ('a option  $\Rightarrow$  'a option)>
where
  <opt_lift f  $\equiv \lambda x. \text{case } x \text{ of None } \Rightarrow \text{None} \mid \text{Some } y \Rightarrow \text{Some } (f y)$ >

```

The set of instants when a clock ticks in a dilated run is the image by the dilation function of the set of instants when it ticks in the subrun.

```

lemma tick_set_sub:
  assumes <dilating f sub r>
  shows    <{k. hamlet ((Rep_run r) k c)} = image f {k. hamlet ((Rep_run sub) k c)}>
  (is <?R = image f ?S>)
<proof>

```

Strictly monotonous functions preserve the least element.

```

lemma Least_strict_mono:
  assumes <strict_mono f>
  and      < $\exists x \in S. \forall y \in S. x \leq y$ >
  shows    <(LEAST y. y  $\in f$  ' S) = f (LEAST x. x  $\in S)$ >
<proof>

```

A non empty set of nats has a least element.

```

lemma Least_nat_ex:
  <(n::nat)  $\in S \implies \exists x \in S. (\forall y \in S. x \leq y)$ >
<proof>

```

The first instant when a clock ticks in a dilated run is the image by the dilation function of the first instant when it ticks in the subrun.

```

lemma Least_sub:
  assumes <dilating f sub r>
  and      < $\exists k::\text{nat}. \text{hamlet } ((\text{Rep\_run sub}) k c)$ >
  shows    <(LEAST k. k  $\in \{t. \text{hamlet } ((\text{Rep\_run r}) t c)\}$ )
  = f (LEAST k. k  $\in \{t. \text{hamlet } ((\text{Rep\_run sub}) t c)\}$ )>
  (is <(LEAST k. k  $\in ?R) = f$  (LEAST k. k  $\in ?S)$ >)
<proof>

```

If a clock ticks in a run, it ticks in the subrun.

```

lemma ticks_imp_ticks_sub:
  assumes <dilating f sub r>
  and      < $\exists k. \text{hamlet } ((\text{Rep\_run r}) k c)$ >

```

```

shows  < $\exists k_0. \text{hamlet } ((\text{Rep\_run sub}) k_0 c)$ >
<proof>

```

Stronger version: it ticks in the subrun and we know when.

```

lemma ticks_imp_ticks_subk:
assumes <dilating f sub r>
and     <hamlet ((Rep_run r) k c)>
shows  < $\exists k_0. f k_0 = k \wedge \text{hamlet } ((\text{Rep\_run sub}) k_0 c)$ >
<proof>

```

A dilating function preserves the tick count on an interval for any clock.

```

lemma dilated_ticks_strict:
assumes <dilating f sub r>
shows  <{i. f m < i  $\wedge$  i < f n  $\wedge$  hamlet ((Rep_run r) i c)}
      = image f {i. m < i  $\wedge$  i < n  $\wedge$  hamlet ((Rep_run sub) i c)}>
      (is <?RUN = image f ?SUB>)
<proof>

```

```

lemma dilated_ticks_left:
assumes <dilating f sub r>
shows  <{i. f m  $\leq$  i  $\wedge$  i < f n  $\wedge$  hamlet ((Rep_run r) i c)}
      = image f {i. m  $\leq$  i  $\wedge$  i < n  $\wedge$  hamlet ((Rep_run sub) i c)}>
      (is <?RUN = image f ?SUB>)
<proof>

```

```

lemma dilated_ticks_right:
assumes <dilating f sub r>
shows  <{i. f m < i  $\wedge$  i  $\leq$  f n  $\wedge$  hamlet ((Rep_run r) i c)}
      = image f {i. m < i  $\wedge$  i  $\leq$  n  $\wedge$  hamlet ((Rep_run sub) i c)}>
      (is <?RUN = image f ?SUB>)
<proof>

```

```

lemma dilated_ticks:
assumes <dilating f sub r>
shows  <{i. f m  $\leq$  i  $\wedge$  i  $\leq$  f n  $\wedge$  hamlet ((Rep_run r) i c)}
      = image f {i. m  $\leq$  i  $\wedge$  i  $\leq$  n  $\wedge$  hamlet ((Rep_run sub) i c)}>
      (is <?RUN = image f ?SUB>)
<proof>

```

No tick can occur in a dilated run before the image of 0 by the dilation function.

```

lemma empty_dilated_prefix:
assumes <dilating f sub r>
and     <n < f 0>
shows  < $\neg \text{hamlet } ((\text{Rep\_run r}) n c)$ >
<proof>

```

```

corollary empty_dilated_prefix':
assumes <dilating f sub r>
shows  <{i. f 0  $\leq$  i  $\wedge$  i  $\leq$  f n  $\wedge$  hamlet ((Rep_run r) i c)}
      = {i. i  $\leq$  f n  $\wedge$  hamlet ((Rep_run r) i c)}>
<proof>

```

```

corollary dilated_prefix:
assumes <dilating f sub r>
shows  <{i. i  $\leq$  f n  $\wedge$  hamlet ((Rep_run r) i c)}
      = image f {i. i  $\leq$  n  $\wedge$  hamlet ((Rep_run sub) i c)}>
<proof>

```

**corollary** `dilated_strict_prefix`:  
**assumes** `<dilating f sub r>`  
**shows** `<{i. i < f n ∧ hamlet ((Rep_run r) i c)}  
= image f {i. i < n ∧ hamlet ((Rep_run sub) i c)}>`  
`<proof>`

A singleton of `nat` can be defined with a weaker property.

**lemma** `nat_sing_prop`:  
`<{i::nat. i = k ∧ P(i)} = {i::nat. i = k ∧ P(k)}>`  
`<proof>`

The set definition and the function definition of `tick_count` are equivalent.

**lemma** `tick_count_is_fun[code]`:`<tick_count r c n = run_tick_count r c n>`  
`<proof>`

To show that the set definition and the function definition of `tick_count_strict` are equivalent, we first show that the *strictness* of `tick_count_strict` can be softened using `Suc`.

**lemma** `tick_count_strict_suc`:`<tick_count_strict r c (Suc n) = tick_count r c n>`  
`<proof>`

**lemma** `tick_count_strict_is_fun[code]`:  
`<tick_count_strict r c n = run_tick_count_strictly r c n>`  
`<proof>`

This leads to an alternate definition of the strict precedence relation.

**lemma** `strictly_precedes_alt_def1`:  
`<{ ρ. ∀n::nat. (run_tick_count ρ K2 n) ≤ (run_tick_count_strictly ρ K1 n) }  
= { ρ. ∀n::nat. (run_tick_count_strictly ρ K2 (Suc n))  
≤ (run_tick_count_strictly ρ K1 n) }>`  
`<proof>`

The strict precedence relation can even be defined using only `run_tick_count`:

**lemma** `zero_gt_all`:  
**assumes** `<P (0::nat)>`  
**and** `<∧n. n > 0 ⇒ P n>`  
**shows** `<P n>`  
`<proof>`

**lemma** `strictly_precedes_alt_def2`:  
`<{ ρ. ∀n::nat. (run_tick_count ρ K2 n) ≤ (run_tick_count_strictly ρ K1 n) }  
= { ρ. (¬hamlet ((Rep_run ρ) 0 K2))  
∧ (∀n::nat. (run_tick_count ρ K2 (Suc n)) ≤ (run_tick_count ρ K1 n)) }>`  
`(is <?P = ?P'>)`  
`<proof>`

Some properties of `run_tick_count`, `tick_count` and `Suc`:

**lemma** `run_tick_count_suc`:  
`<run_tick_count r c (Suc n) = (if hamlet ((Rep_run r) (Suc n) c)  
then Suc (run_tick_count r c n)  
else run_tick_count r c n)>`  
`<proof>`

**corollary** `tick_count_suc`:  
`<tick_count r c (Suc n) = (if hamlet ((Rep_run r) (Suc n) c)`

```

      then Suc (tick_count r c n)
      else tick_count r c n>
<proof>

```

Some generic properties on the cardinal of sets of nat that we will need later.

```

lemma card_suc:
  <card {i. i ≤ (Suc n) ∧ P i} = card {i. i ≤ n ∧ P i} + card {i. i = (Suc n) ∧ P i}>
<proof>

```

```

lemma card_le_leq:
  assumes <m < n>
  shows <card {i::nat. m < i ∧ i ≤ n ∧ P i}
    = card {i. m < i ∧ i < n ∧ P i} + card {i. i = n ∧ P i}>
<proof>

```

```

lemma card_le_leq_0:
  <card {i::nat. i ≤ n ∧ P i} = card {i. i < n ∧ P i} + card {i. i = n ∧ P i}>
<proof>

```

```

lemma card_mnm:
  assumes <m < n>
  shows <card {i::nat. i < n ∧ P i}
    = card {i. i ≤ m ∧ P i} + card {i. m < i ∧ i < n ∧ P i}>
<proof>

```

```

lemma card_mnm':
  assumes <m < n>
  shows <card {i::nat. i < n ∧ P i}
    = card {i. i < m ∧ P i} + card {i. m ≤ i ∧ i < n ∧ P i}>
<proof>

```

```

lemma nat_interval_union:
  assumes <m ≤ n>
  shows <{i::nat. i ≤ n ∧ P i}
    = {i::nat. i ≤ m ∧ P i} ∪ {i::nat. m < i ∧ i ≤ n ∧ P i}>
<proof>

```

```

lemma card_sing_prop: <card {i. i = n ∧ P i} = (if P n then 1 else 0)>
<proof>

```

```

lemma card_prop_mono:
  assumes <m ≤ n>
  shows <card {i::nat. i ≤ m ∧ P i} ≤ card {i. i ≤ n ∧ P i}>
<proof>

```

In a dilated run, no tick occurs strictly between two successive instants that are the images by  $f$  of instants of the original run.

```

lemma no_tick_before_suc:
  assumes <dilating f sub r>
  and <(f n) < k ∧ k < (f (Suc n))>
  shows <¬hamlet ((Rep_run r) k c)>
<proof>

```

From this, we show that the number of ticks on any clock at  $f$  (Suc  $n$ ) depends only on the number of ticks on this clock at  $f$   $n$  and whether this clock ticks at  $f$  (Suc  $n$ ). All the instants in between are stuttering instants.

```

lemma tick_count_fsuc:

```

```

assumes <dilating f sub r>
shows <tick_count r c (f (Suc n))
      = tick_count r c (f n) + card {k. k = f (Suc n) ∧ hamlet ((Rep_run r) k c)}>
<proof>

corollary tick_count_f_suc:
assumes <dilating f sub r>
shows <tick_count r c (f (Suc n))
      = tick_count r c (f n) + (if hamlet ((Rep_run r) (f (Suc n)) c) then 1 else 0)>
<proof>

corollary tick_count_f_suc_suc:
assumes <dilating f sub r>
shows <tick_count r c (f (Suc n)) = (if hamlet ((Rep_run r) (f (Suc n)) c)
      then Suc (tick_count r c (f n))
      else tick_count r c (f n))>
<proof>

lemma tick_count_f_suc_sub:
assumes <dilating f sub r>
shows <tick_count r c (f (Suc n)) = (if hamlet ((Rep_run sub) (Suc n) c)
      then Suc (tick_count r c (f n))
      else tick_count r c (f n))>
<proof>

```

The number of ticks does not progress during stuttering instants.

```

lemma tick_count_latest:
assumes <dilating f sub r>
and <f np < n ∧ (∀k. f np < k ∧ k ≤ n → (∄k0. f k0 = k))>
shows <tick_count r c n = tick_count r c (f np)>
<proof>

```

We finally show that the number of ticks on any clock is preserved by dilation.

```

lemma tick_count_sub:
assumes <dilating f sub r>
shows <tick_count sub c n = tick_count r c (f n)>
<proof>

corollary run_tick_count_sub:
assumes <dilating f sub r>
shows <run_tick_count sub c n = run_tick_count r c (f n)>
<proof>

```

The number of ticks occurring strictly before the first instant is null.

```

lemma tick_count_strict_0:
assumes <dilating f sub r>
shows <tick_count_strict r c (f 0) = 0>
<proof>

```

The number of ticks strictly before an instant does not progress during stuttering instants.

```

lemma tick_count_strict_stable:
assumes <dilating f sub r>
assumes <(f n) < k ∧ k < (f (Suc n))>
shows <tick_count_strict r c k = tick_count_strict r c (f (Suc n))>
<proof>

```

Finally, the number of ticks strictly before an instant is preserved by dilation.



```

lemma tick_count_strict_sub:
  assumes <dilating f sub r>
  shows <tick_count_strict sub c n = tick_count_strict r c (f n)>
<proof>

```

The tick count on any clock can only increase.

```

lemma mono_tick_count:
  <mono (λ k. tick_count r c k)>
<proof>

```

In a dilated run, for any stuttering instant, there is an instant which is the image of an instant in the original run, and which is the latest one before the stuttering instant.

```

lemma greatest_prev_image:
  assumes <dilating f sub r>
  shows <(∄n0. f n0 = n) ⇒ (∃np. f np < n ∧ (∀k. f np < k ∧ k ≤ n ⇒ (∄k0. f k0 = k))>
<proof>

```

If a strictly monotonous function on **nat** increases only by one, its argument was increased only by one.

```

lemma strict_mono_suc:
  assumes <strict_mono f>
  and <f sn = Suc (f n)>
  shows <sn = Suc n>
<proof>

```

Two successive non stuttering instants of a dilated run are the images of two successive instants of the original run.

```

lemma next_non_stuttering:
  assumes <dilating f sub r>
  and <f np < n ∧ (∀k. f np < k ∧ k ≤ n ⇒ (∄k0. f k0 = k))>
  and <f sn0 = Suc n>
  shows <sn0 = Suc np>
<proof>

```

The order relation between tick counts on clocks is preserved by dilation.

```

lemma dil_tick_count:
  assumes <sub ≪ r>
  and <∀n. run_tick_count sub a n ≤ run_tick_count sub b n>
  shows <run_tick_count r a n ≤ run_tick_count r b n>
<proof>

```

Time does not progress during stuttering instants.

```

lemma stutter_no_time:
  assumes <dilating f sub r>
  and <∧k. f n < k ∧ k ≤ m ⇒ (∄k0. f k0 = k)>
  and <m > f n>
  shows <time ((Rep_run r) m c) = time ((Rep_run r) (f n) c)>
<proof>

```

```

lemma time_stuttering:
  assumes <dilating f sub r>
  and <time ((Rep_run sub) n c) = τ>
  and <∧k. f n < k ∧ k ≤ m ⇒ (∄k0. f k0 = k)>
  and <m > f n>
  shows <time ((Rep_run r) m c) = τ>

```

*<proof>*

The first instant at which a given date is reached on a clock is preserved by dilation.

```
lemma first_time_image:
  assumes <dilating f sub r>
    shows <first_time sub c n t = first_time r c (f n) t>
<proof>
```

The first instant of a dilated run is necessarily the image of the first instant of the original run.

```
lemma first_dilated_instant:
  assumes <strict_mono f>
    and <f (0::nat) = (0::nat)>
    shows <Max {i. f i ≤ 0} = 0>
<proof>
```

For any instant  $n$  of a dilated run, let  $n_0$  be the last instant before  $n$  that is the image of an original instant. All instants strictly after  $n_0$  and before  $n$  are stuttering instants.

```
lemma not_image_stut:
  assumes <dilating f sub r>
    and <n0 = Max {i. f i ≤ n}>
    and <f n0 < k ∧ k ≤ n>
    shows <∄k0. f k0 = k>
<proof>
```

For any dilating function  $f$ ,  $\text{dil\_inverse } f$  is a contracting function.

```
lemma contracting_inverse:
  assumes <dilating f sub r>
    shows <contracting (dil_inverse f) r sub f>
<proof>
```

The only possible contracting function toward a dense run (a run with no empty instants) is the inverse of the dilating function as defined by  $\text{dil\_inverse}$ .

```
lemma dense_run_dil_inverse_only:
  assumes <dilating f sub r>
    and <contracting g r sub f>
    and <dense_run sub>
    shows <g = (dil_inverse f)>
<proof>
```

end

### 8.1.5 Main Theorems

```
theory Stuttering
imports StutteringLemmas
```

begin

Using the lemmas of the previous section about the invariance by stuttering of various properties of TESL specifications, we can now prove that the atomic formulae that compose TESL specifications are invariant by stuttering.

Sporadic specifications are preserved in a dilated run.

```
lemma sporadic_sub:
  assumes <sub << r>
```

**and**  $\langle \text{sub} \in \llbracket c \text{ sporadic } \tau \text{ on } c' \rrbracket_{TESL} \rangle$   
**shows**  $\langle r \in \llbracket c \text{ sporadic } \tau \text{ on } c' \rrbracket_{TESL} \rangle$   
*(proof)*

Implications are preserved in a dilated run.

**theorem** *implies\_sub*:  
**assumes**  $\langle \text{sub} \ll r \rangle$   
**and**  $\langle \text{sub} \in \llbracket c_1 \text{ implies } c_2 \rrbracket_{TESL} \rangle$   
**shows**  $\langle r \in \llbracket c_1 \text{ implies } c_2 \rrbracket_{TESL} \rangle$   
*(proof)*

**theorem** *implies\_not\_sub*:  
**assumes**  $\langle \text{sub} \ll r \rangle$   
**and**  $\langle \text{sub} \in \llbracket c_1 \text{ implies not } c_2 \rrbracket_{TESL} \rangle$   
**shows**  $\langle r \in \llbracket c_1 \text{ implies not } c_2 \rrbracket_{TESL} \rangle$   
*(proof)*

Precedence relations are preserved in a dilated run.

**theorem** *weakly\_precedes\_sub*:  
**assumes**  $\langle \text{sub} \ll r \rangle$   
**and**  $\langle \text{sub} \in \llbracket c_1 \text{ weakly precedes } c_2 \rrbracket_{TESL} \rangle$   
**shows**  $\langle r \in \llbracket c_1 \text{ weakly precedes } c_2 \rrbracket_{TESL} \rangle$   
*(proof)*

**theorem** *strictly\_precedes\_sub*:  
**assumes**  $\langle \text{sub} \ll r \rangle$   
**and**  $\langle \text{sub} \in \llbracket c_1 \text{ strictly precedes } c_2 \rrbracket_{TESL} \rangle$   
**shows**  $\langle r \in \llbracket c_1 \text{ strictly precedes } c_2 \rrbracket_{TESL} \rangle$   
*(proof)*

Time delayed relations are preserved in a dilated run.

**theorem** *time\_delayed\_sub*:  
**assumes**  $\langle \text{sub} \ll r \rangle$   
**and**  $\langle \text{sub} \in \llbracket a \text{ time-delayed by } \delta\tau \text{ on ms implies b} \rrbracket_{TESL} \rangle$   
**shows**  $\langle r \in \llbracket a \text{ time-delayed by } \delta\tau \text{ on ms implies b} \rrbracket_{TESL} \rangle$   
*(proof)*

Time relations are preserved through dilation of a run.

**lemma** *tagrel\_sub'*:  
**assumes**  $\langle \text{sub} \ll r \rangle$   
**and**  $\langle \text{sub} \in \llbracket \text{time-relation } [c_1, c_2] \in R \rrbracket_{TESL} \rangle$   
**shows**  $\langle R (\text{time } ((\text{Rep\_run } r) \text{ n } c_1), \text{time } ((\text{Rep\_run } r) \text{ n } c_2)) \rangle$   
*(proof)*

**corollary** *tagrel\_sub*:  
**assumes**  $\langle \text{sub} \ll r \rangle$   
**and**  $\langle \text{sub} \in \llbracket \text{time-relation } [c_1, c_2] \in R \rrbracket_{TESL} \rangle$   
**shows**  $\langle r \in \llbracket \text{time-relation } [c_1, c_2] \in R \rrbracket_{TESL} \rangle$   
*(proof)*

Time relations are also preserved by contraction

**lemma** *tagrel\_sub\_inv*:  
**assumes**  $\langle \text{sub} \ll r \rangle$   
**and**  $\langle r \in \llbracket \text{time-relation } [c_1, c_2] \in R \rrbracket_{TESL} \rangle$   
**shows**  $\langle \text{sub} \in \llbracket \text{time-relation } [c_1, c_2] \in R \rrbracket_{TESL} \rangle$   
*(proof)*

Kill relations are preserved in a dilated run.

```

theorem kill_sub:
  assumes <sub << r>
    and <sub ∈ [[ c1 kills c2 ]]TESL>
    shows <r ∈ [[ c1 kills c2 ]]TESL>
<proof>

lemmas atomic_sub_lemmas = sporadic_sub tagrel_sub implies_sub implies_not_sub
                             time_delayed_sub weakly_precedes_sub
                             strictly_precedes_sub kill_sub

```

We can now prove that all atomic specification formulae are preserved by the dilation of runs.

```

lemma atomic_sub:
  assumes <sub << r>
    and <sub ∈ [[ φ ]]TESL>
    shows <r ∈ [[ φ ]]TESL>
<proof>

```

Finally, any TESL specification is invariant by stuttering.

```

theorem TESL_stuttering_invariant:
  assumes <sub << r>
    shows <sub ∈ [[ S ]]TESL ⇒ r ∈ [[ S ]]TESL>
<proof>

```

```

end
theory Config_Morphisms
  imports Hygge_Theory
begin

```

TESL morphisms change the time on clocks, preserving the ticks.

```

consts morphism :: <'a ⇒ ('τ::linorder ⇒ 'τ)::linorder ⇒ 'a> (infixl <⊗> 100)

```

Applying a TESL morphism to a tag simply changes its value.

```

overloading morphism_tagconst ≡ <morphism :: 'τ tag_const ⇒ ('τ::linorder ⇒ 'τ) ⇒ 'τ tag_const>

```

```

begin
  definition morphism_tagconst :
    <(x::'τ tag_const) ⊗ (f::('τ::linorder ⇒ 'τ)) = (τest o f)(the_tag_const x) >
end

```

Applying a TESL morphism to an atomic formula only changes the dates.

```

overloading morphism_TESL_atomic ≡
  <morphism :: 'τ TESL_atomic ⇒ ('τ::linorder ⇒ 'τ) ⇒ 'τ TESL_atomic>

```

```

begin
definition morphism_TESL_atomic :
  <(Ψ::'τ TESL_atomic) ⊗ (f::('τ::linorder ⇒ 'τ)) =
    (case Ψ of
      (C sporadic t on C') ⇒ (C sporadic (t⊗f) on C')
    | (time-relation [C, C']∈R) ⇒ (time-relation [C, C'] ∈ (λ(t, t'). R(t⊗f, t'⊗f)))
    | (C implies C') ⇒ (C implies C')
    | (C implies not C') ⇒ (C implies not C')
    | (C time-delayed by t on C' implies C'')
      ⇒ (C time-delayed by t⊗f on C' implies C'')
    | (C weakly precedes C') ⇒ (C weakly precedes C')
    | (C strictly precedes C') ⇒ (C strictly precedes C')
    | (C kills C') ⇒ (C kills C'))>
end

```

end

Applying a TESL morphism to a formula amounts to apply it to each atomic formula.

```
overloading morphism_TESL_formula ≡
  <morphism :: 'τ TESL_formula ⇒ ('τ::linorder ⇒ 'τ) ⇒ 'τ TESL_formula>
begin
definition morphism_TESL_formula :
  <(Ψ::'τ TESL_formula) ⊗ (f::('τ::linorder ⇒ 'τ)) = map (λx. x ⊗ f) Ψ>
end
```

Applying a TESL morphism to a configuration amounts to apply it to the present and future formulae. The past (in the context  $\Gamma$ ) is not changed.

```
overloading morphism_TESL_config ≡
  <morphism :: ('τ::linordered_field) config ⇒ ('τ ⇒ 'τ) ⇒ 'τ config>
begin
fun morphism_TESL_config
  where <((Γ, n ⊢ Ψ ▷ Φ)::('τ::linordered_field) config) ⊗ (f::('τ ⇒ 'τ)) =
    (Γ, n ⊢ (Ψ ⊗ f) ▷ (Φ ⊗ f))>
end
```

A TESL formula is called consistent if it possesses Kripke-models in its denotational interpretation.

```
definition consistent :: <('τ::linordered_field) TESL_formula ⇒ bool>
  where <consistent Ψ ≡ [[ Ψ ]]_{TESL} ≠ {}>
```

If we can derive a consistent finite context from a TESL formula, the formula is consistent.

```
theorem consistency_finite :
  assumes start : <([], 0 ⊢ Ψ ▷ []) <-> (** (Γ1, n1 ⊢ [] ▷ []) >
    and init_invariant : <consistent_context Γ1>
  shows <consistent Ψ>
<proof>
```

### Snippets on runs

A run with no ticks and constant time for all clocks.

```
definition const_nontick_run :: <(clock ⇒ 'τ tag_const) ⇒ ('τ::linordered_field) run > (<□_> 80)
  where <□f ≡ Abs_run(λn c. (False, f c))>
```

Ensure a clock ticks in a run at a given instant.

```
definition set_tick :: <('τ::linordered_field) run ⇒ nat ⇒ clock ⇒ ('τ) run>
  where <set_tick r k c = Abs_run(λn c. if k = n
    then (True , time(Rep_run r k c))
    else Rep_run r k c) >
```

Ensure a clock does not tick in a run at a given instant.

```
definition unset_tick :: <('τ::linordered_field) run ⇒ nat ⇒ clock ⇒ ('τ) run>
  where <unset_tick r k c = Abs_run(λn c. if k = n
    then (False , time(Rep_run r k c))
    else Rep_run r k c) >
```

Replace all instants after  $k$  in a run with the instants from another run. Warning: the result may not be a proper run since time may not be monotonous from instant  $k$  to instant  $k+1$ .

```
definition patch :: <('τ::linordered_field) run ⇒ nat ⇒ 'τ run ⇒ 'τ run> (<_ >> _> 80)
```

where  $\langle r \gg^k r' \equiv \text{Abs\_run}(\lambda n c. \text{if } n \leq k \text{ then Rep\_run } (r) \text{ n } c \text{ else Rep\_run } (r') \text{ n } c) \rangle$

For some infinite cases, the idea for a proof scheme looks as follows: if we can derive from the initial configuration  $[], 0 \vdash \Psi \triangleright []$  a start-point of a lasso  $\Gamma_1, \mathbf{n}_1 \vdash \Psi_1 \triangleright \Phi_1$ , and if we can traverse the lasso one time  $\Gamma_1, \mathbf{n}_1 \vdash \Psi_1 \triangleright \Phi_1 \hookrightarrow^{++} \Gamma_2, \mathbf{n}_2 \vdash \Psi_2 \triangleright \Phi_2$  to isomorphic one, we can always always make a derivation along the lasso. If the entry point of the lasso had traces with prefixes consistent to  $\Gamma_1$ , then there exist traces consisting of this prefix and repetitions of the delta-prefix of the lasso which are consistent with  $\Psi$  which implies the logical consistency of  $\Psi$ .

So far the idea. Remains to prove it. Why does one symbolic run along a lasso generalises to arbitrary runs ?

```

theorem consistency_coinduct :
  assumes start      :  $\langle [], 0 \vdash \Psi \triangleright [] \rangle \hookrightarrow^{**} (\Gamma_1, \mathbf{n}_1 \vdash \Psi_1 \triangleright \Phi_1) \rangle$ 
  and loop          :  $\langle (\Gamma_1, \mathbf{n}_1 \vdash \Psi_1 \triangleright \Phi_1) \hookrightarrow^{++} (\Gamma_2, \mathbf{n}_2 \vdash \Psi_2 \triangleright \Phi_2) \rangle$ 
  and init_invariant :  $\langle \text{consistent\_context } \Gamma_1 \rangle$ 
  and post_invariant  :  $\langle \text{consistent\_context } \Gamma_2 \rangle$ 
  and retract_condition :  $\langle (\Gamma_2, \mathbf{n}_2 \vdash \Psi_2 \triangleright \Phi_2) \otimes (f :: ' \tau \Rightarrow ' \tau) = (\Gamma_1, \mathbf{n}_1 \vdash \Psi_1 \triangleright \Phi_1) \rangle$ 
  shows  $\langle \text{consistent } (\Psi :: (' \tau :: \text{linordered\_field}) \text{TESL\_formula}) \rangle$ 

```

*(proof)*

**end**

# Bibliography

- [1] F. Boulanger, C. Jacquet, C. Hardebolle, and I. Prodan. TESL: a language for reconciling heterogeneous execution traces. In *Twelfth ACM/IEEE International Conference on Formal Methods and Models for Codesign (MEMOCODE 2014)*, pages 114–123, Lausanne, Switzerland, Oct 2014.
- [2] H. Nguyen Van, T. Balabonski, F. Boulanger, C. Keller, B. Valiron, and B. Wolff. A symbolic operational semantics for TESL with an application to heterogeneous system testing. In *Formal Modeling and Analysis of Timed Systems, 15th International Conference FORMATS 2017*, volume 10419 of *LNCS*. Springer, Sep 2017.